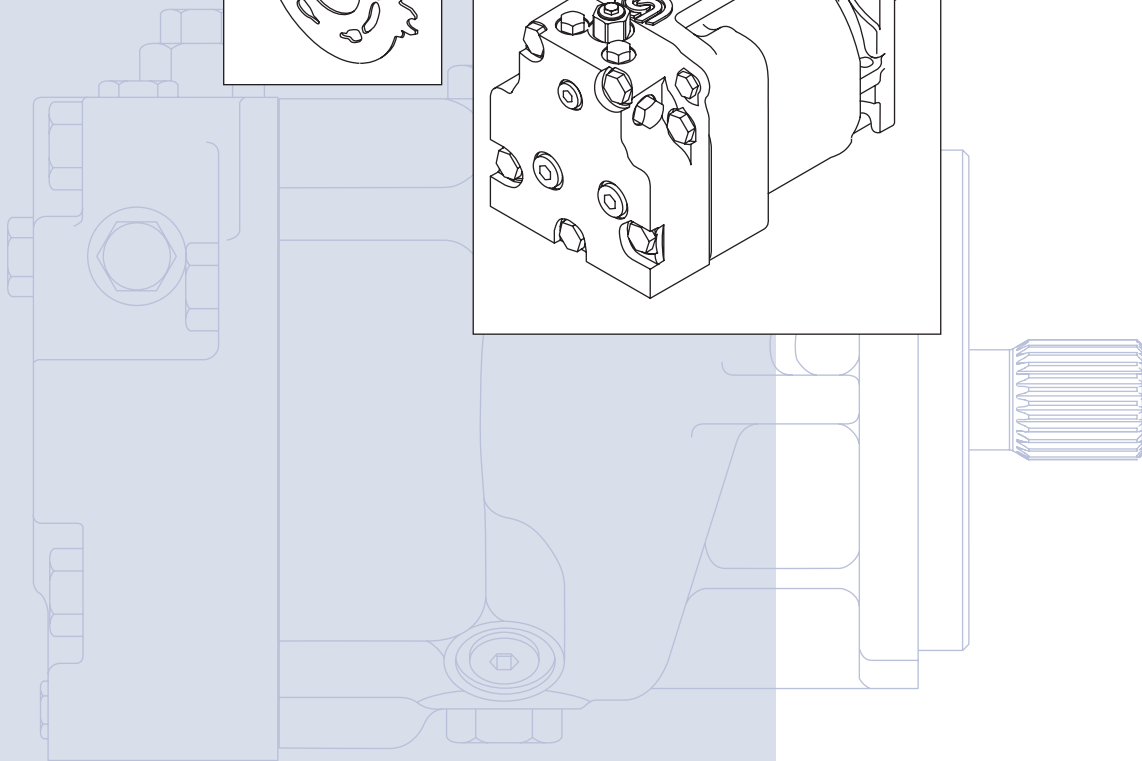
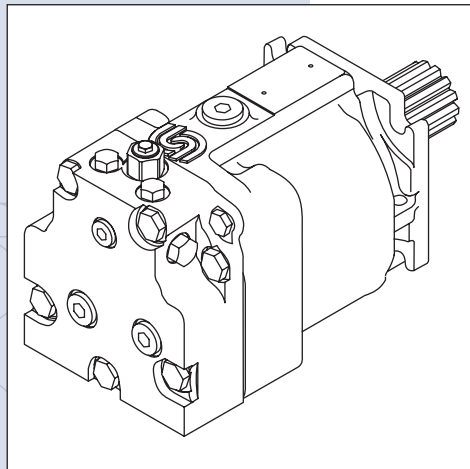
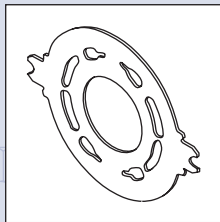
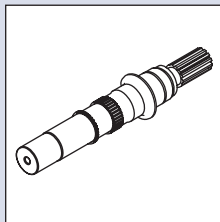
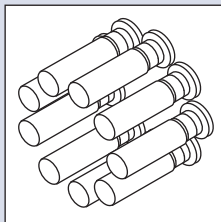


Series 90
130 cc Axial Piston
Motor

Parts Manual





© 2007 Sauer-Danfoss. All rights reserved.

Sauer-Danfoss accepts no responsibility for possible errors in catalogs, brochures and other printed material. Sauer-Danfoss reserves the right to alter its products without prior notice. This also applies to products already ordered provided that such alterations aren't in conflict with agreed specifications. All trademarks in this material are properties of their respective owners.

Front cover illustrations: P100 609, P100 682, P100 630, P100 700



GENERAL INFORMATION	Service parts identification.....	4
	Nameplate	4
	Date code.....	5
	Service bulletins	5
	Procedure to identify a part	5
FIXED DISPLACEMENT MOTOR	Order code.....	7
	Common parts	8-9
	Special hardware.....	8-15
	End cap	16-17
	Loop flushing.....	18-19
	Charge pressure.....	20-21
	Shaft.....	22-23
	Overhaul seal kit.....	23
SERVICE BULLETIN	SB-1995-023 (slipper guide retainer)	24
	SB-2003-002 (cylinder block redesign)	25



**SERVICE PARTS
IDENTIFICATION**

The following information and procedure is used to identify the module group, item number, manufacture date, part number, and part name of the parts included in the Series 90, 130 cc motors.

The parts listed include all parts which may be used when performing either "Minor Repairs," "Major Repairs" or "Conversions" on the Series 90, 130 cc motor.

NAMEPLATE

Each unit will have a nameplate affixed to the housing. The nameplate will include the following information.

Model Code

The Sauer-Danfoss model code completely defines the specific unit and must be used when ordering parts to service this product.

Model Number

The Sauer-Danfoss model number is used by the factory in manufacturing. On repeat orders, a complete unit can be ordered by the model number.

Serial Number

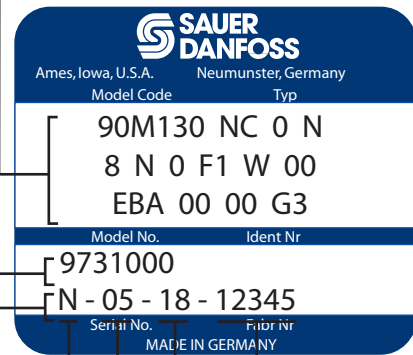
The Sauer-Danfoss serial number is used to identify the manufacture date and the unit sequence in the build. The serial number is also used to identify the units warranty time period.

The letter code indicates the location of original manufacture (assembly). "A" indicates the unit was originally assembled in Ames, Iowa, USA. "N" indicates the unit was originally assembled in Neumunster, Germany.

The first number (2 digits) indicates the year of manufacture. ("05" would indicate the unit was manufactured in 2005)

The second number (2 digits) indicates the calendar week of manufacture.

The third number (5 digits) is a sequential number used to identify a specific unit.



DATE CODE

The date code is defined as the year and week of manufacture. The same item number may list more than one part number. This indicates that there is more than one configuration for that item number. You will see that there are different date codes for the different part numbers. Find the date code of your unit from the nameplate to determine which service part number you need to order.

EXAMPLE: The service part desired is Item H10

Order Code	Item	Date Begin	Date End	Part Number	Part Name	Usage
N	H10	89-38		8800668	Loop flushing spool, defeated	1
	H10	87-02	89-37	8800021	Loop flushing spool, defeated (SB-1989-020)	1

All units using this order code with a date code of 87-02 and up to and including 89-37, must use part number "8800021". All units with a date code of 89-38 and newer must use part number "8800668".

SERVICE BULLETINS

A Service Bulletin Number (SB-____-____) may follow the "Part Name" of the part you desire. You must read that Service Bulletin prior to ordering that part. The information contained in these Service Bulletins, as of the print date of this bulletin, are included at the end of this manual. Service Bulletins contain more detailed information such as interchangeability, what additional parts are involved, etc. It is suggested that you add additional Service Bulletins to this manual as you receive them.

PROCEDURE TO IDENTIFY A PART

General

The modular design of Series 90 units results in a simplified service parts list and part number identification procedure.

The same item numbers are used for same part names on all units within a product type. (Example: The lip seal - Item L40 has the same item number on all motors.)

A part number that has another number following it in parentheses is done to make this a world wide manual. The first number is sold in Germany. The number in parentheses is sold in the United States. (Example: 314583 (9008000-0118), customers would order 9008000-0118 if ordering the part in the United States.)

Example of a Part Identification

The nameplate on a Series 90 motor has an Order Code of 90M130 NC 0 N 8 N 0 F1 W 00 EBA 00 00 G3 Use the following procedures to determine the part number of the drive shaft used on this motor.

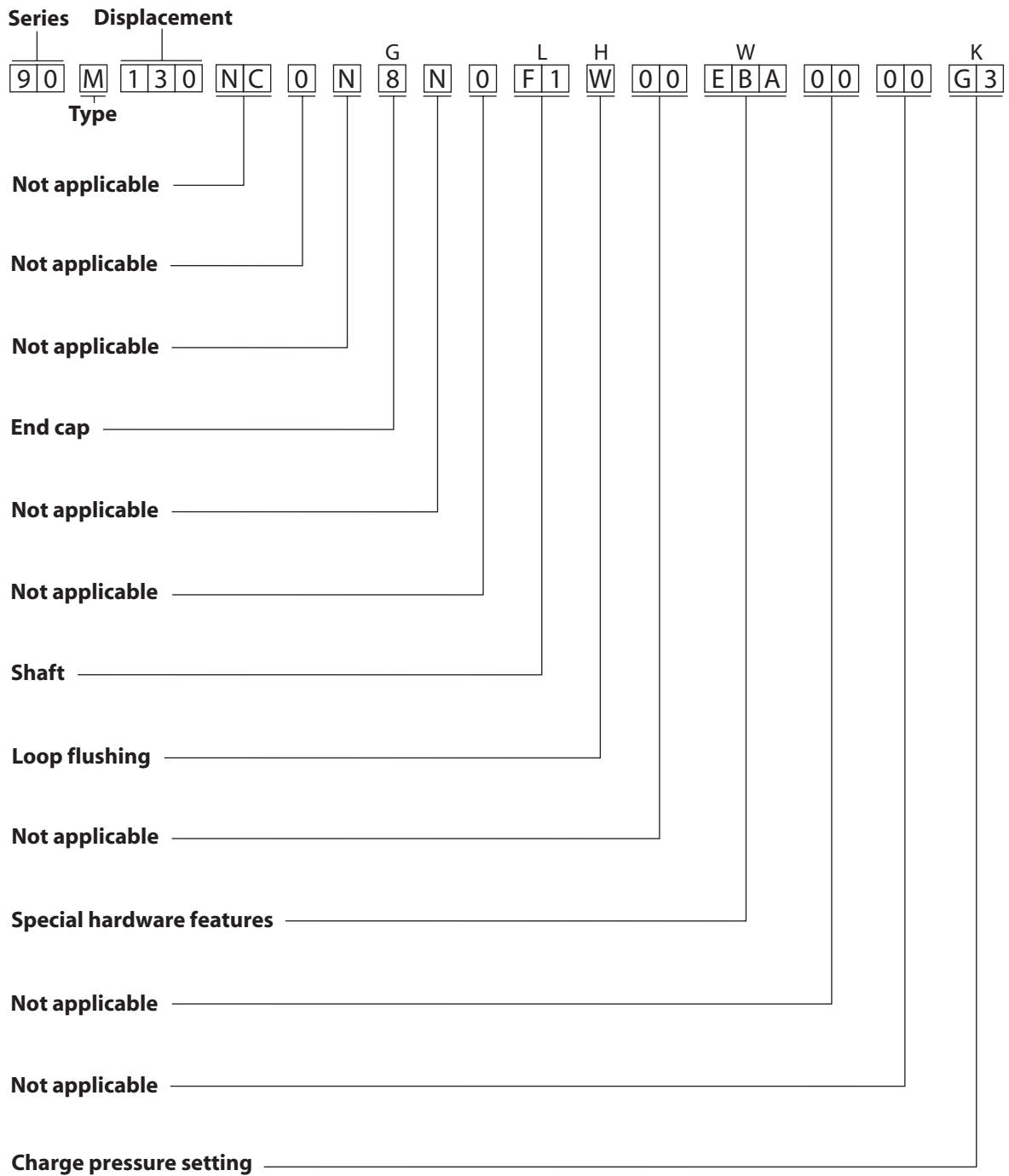
1) Referring to the output shaft module in the Order Code (see page 7), the output shaft option for this motor is identified by the code "S1": (90M130 NC 0 N 8 N 0 **F1** W 00 EBA 00 00 G3)

2) Referring to the Service Parts List, find the shaft group. Next find the order code that relates to this unit, which is "F1". The shaft is found to be item L100 and part number 310458.

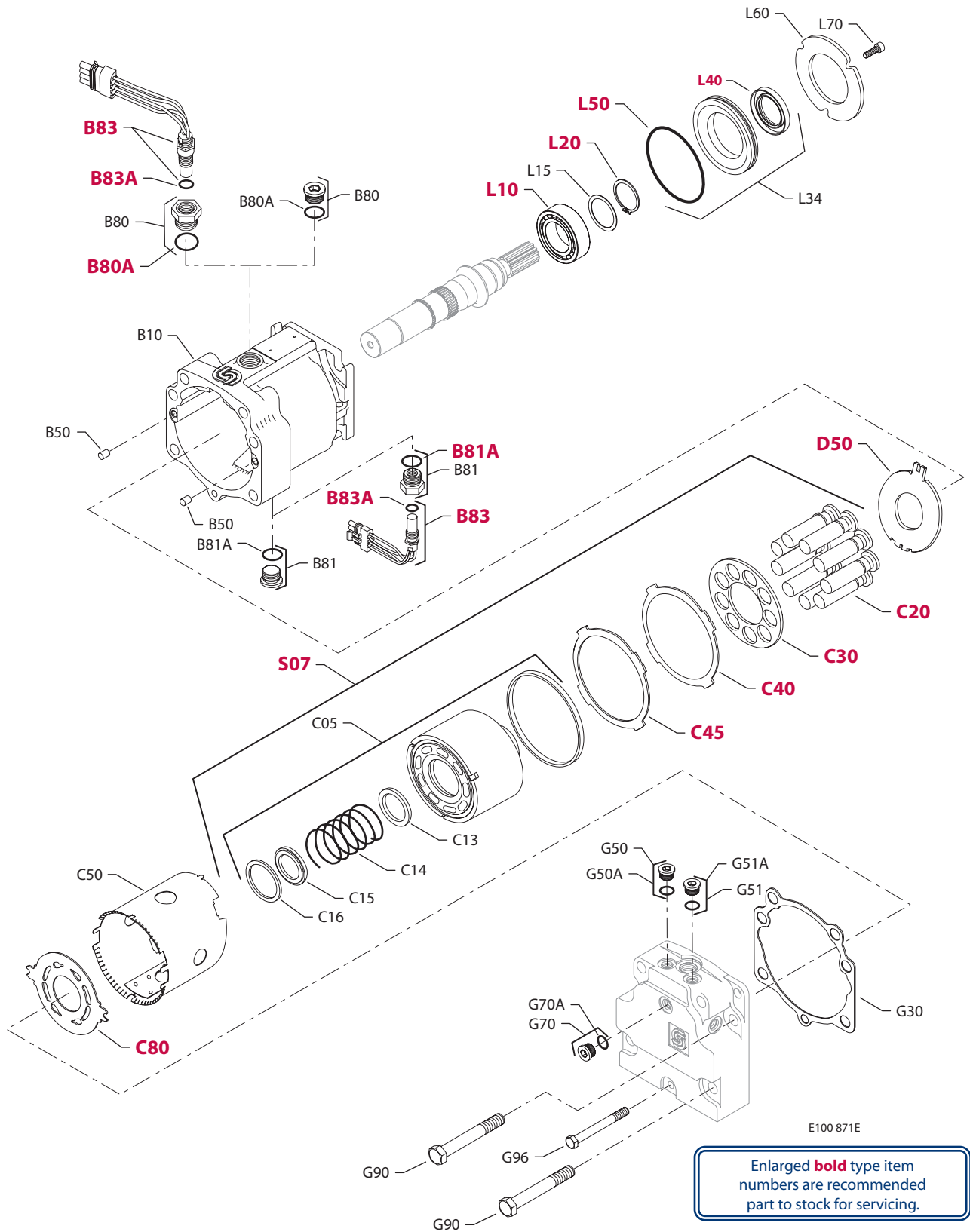


Series 90 130 cc Axial Piston Motor
Parts Manual
Notes





P100 711E



Enlarged **bold** type item numbers are recommended part to stock for servicing.

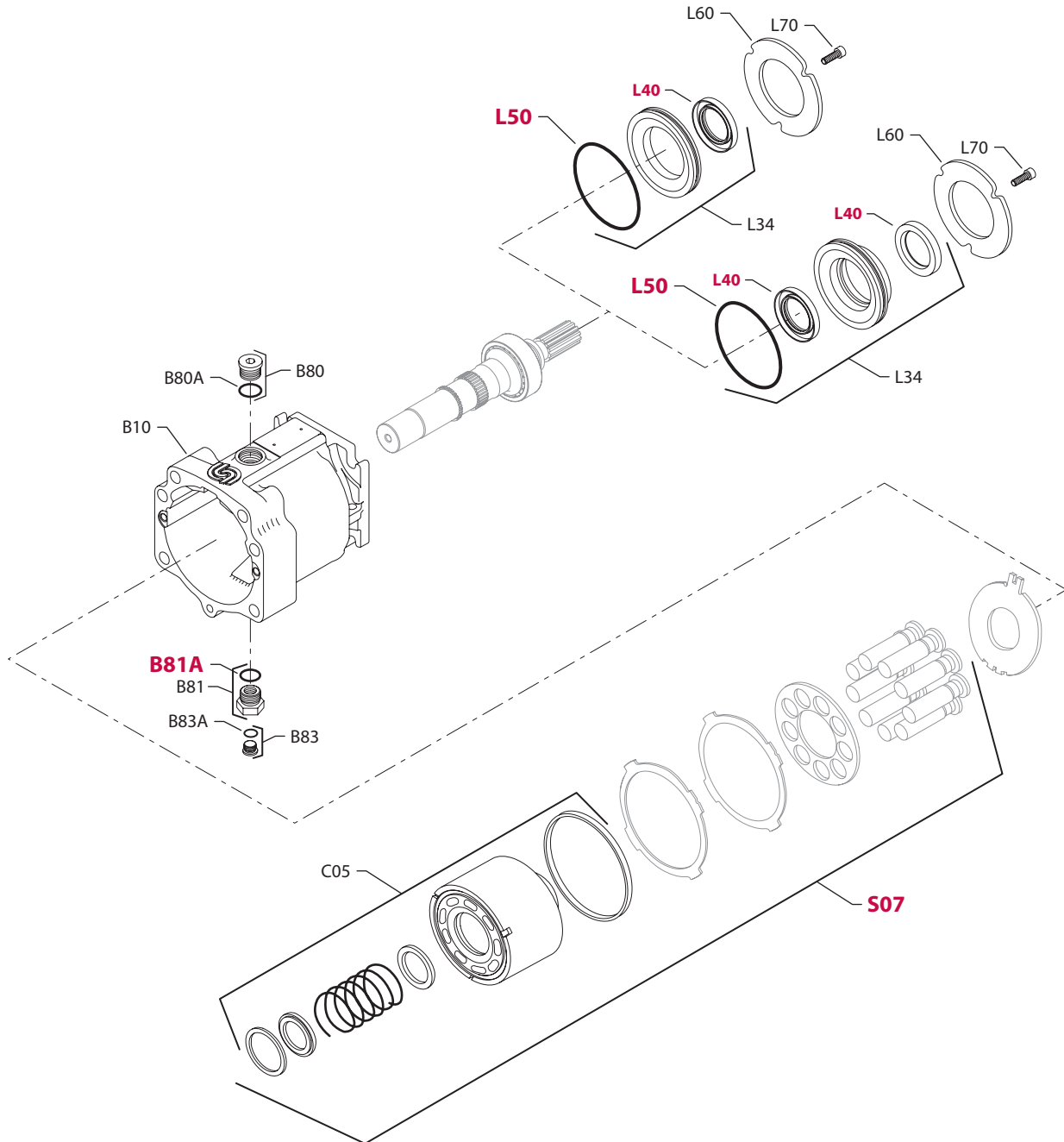
COMMON PARTS

Order Code	Item	Date Begin	Date End	Part Number	Part Name	Qty. per Model/Kit
	B10	89-04		304014	Housing	1
	B80A	89-04		001172 (9004201-9000)	O-ring	1
	B81A	89-04		001172 (9004201-9000)	O-ring	1
	B83A	89-04		085043 (9004201-3700)	O-ring	1
	C13	89-04		700922	Spring seat	1
	C14	89-04		302828	Cylinder block spring	1
	C15	89-04		700930	Spring retainer	1
	C16	89-04		302836	Retaining ring	1
	C20	89-04		727750	Piston assembly, welded	9
	C30	89-04		735506	Slipper guide	1
	C40	89-04		500445	Slipper guide retainer (SB-1995-023)	1
	C45	89-04		505369	Slipper guide retainer spacer (SB-1995-023)	1
	C50	89-04		761007	Hold down tube	1
	C80	89-04		502190	Valve plate	1
	D50	89-04		505364	Thrust plate	1
	G25	89-04		9004800-3708	Pin	2
	G30	89-04		304311	End cap gasket	1
	G50	89-04		140644	Plug assembly	2
	G50A	89-04		085043 (9004201-3700)	O-ring	2
	G70	89-04		140644	Plug assembly	2
	G70A	89-04		085043 (9004201-3700)	O-ring	2
	G90	89-04		309328 (9007210-1618)	Screw	4
	G95	89-04		674432 (9007210-1610)	Screw	2
	G96	89-04		648444 (9007210-1018)	Screw	1
	L10	89-04		304857	Roller beraing	1
	L15	89-04		376319	Shim	1
	L20	89-04		392209	Retaining ring	1
	L50	89-04		509353	O-ring	1
	L70	89-04		395723 (9007315-0805)	Screw	3

SPECIAL HARDWARE

EAD	B80	89-04		511925	Adaptor assembly	1
	B81	89-04		320002 (9005110-9200)	Plug assembly	1
	B83	89-04		KPPG12508	Speed sensor assembly	1
	C05	89-04		519259	Cylinder block assembly w/speed ring (SB-2003-002)	1
	L34	89-04		510018	Seal assembly	1
	L40	89-04		9008000-0114	Lip seal	1
	L60	89-04		516769	Retainer plate	1
	S07	89-04		519277	Cylinder block kit w/speed ring	1

EBA	B80	89-04		320002 (9005110-9200)	Plug assembly	1
	B81	89-04		511925	Adaptor assembly	1
	B83	89-04		KPPG13408	Speed sensor assembly	1
	C05	89-04		519259	Cylinder block assembly w/speed ring (SB-2003-002)	1
	L34	89-04		510018	Seal assembly	1
	L40	89-04		9008000-0114	Lip seal	1
	L60	89-04		516769	Retainer plate	1
	S07	89-04		519277	Cylinder block kit w/speed ring	1



E100 872E

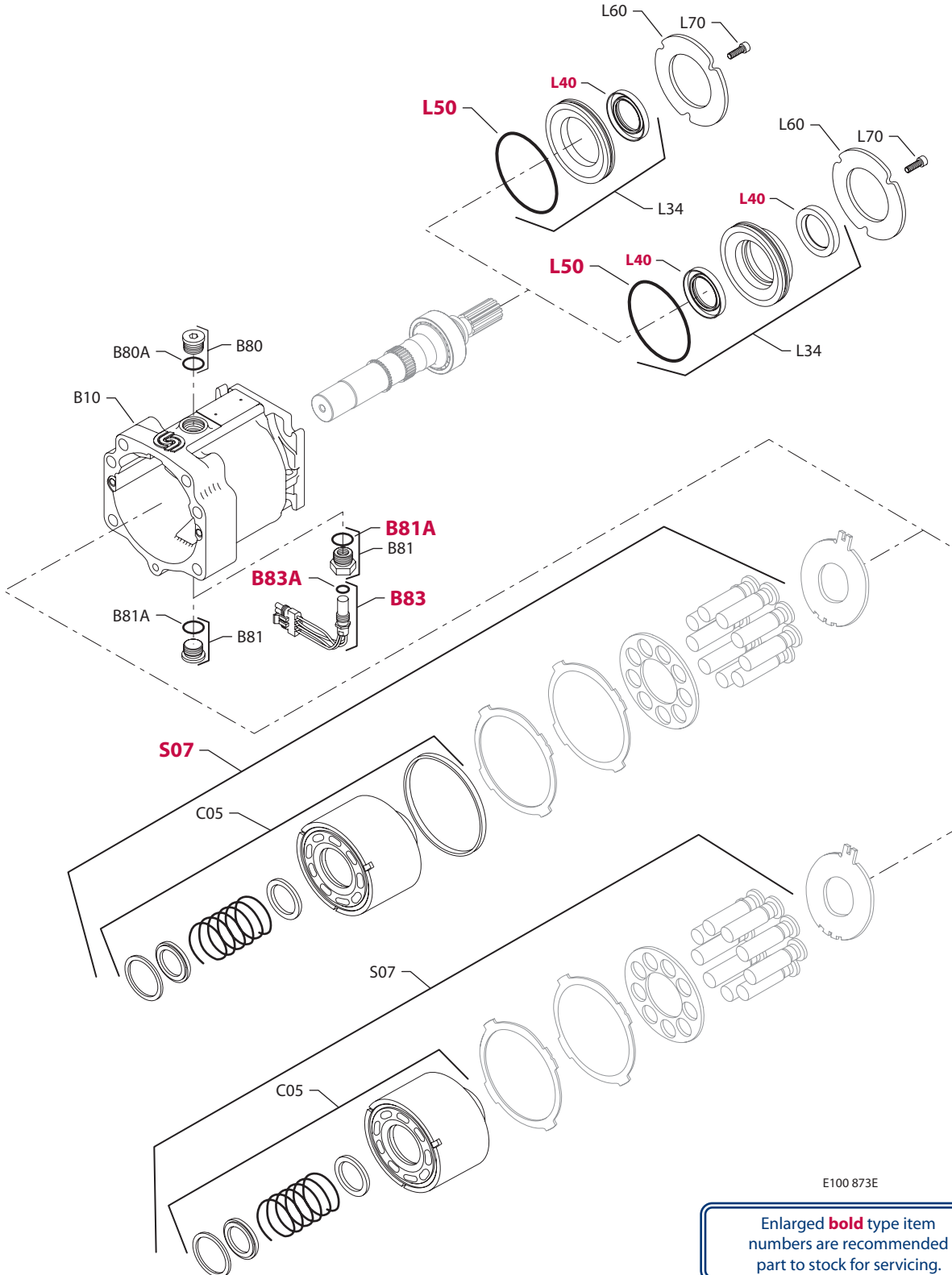
Enlarged **bold** type item numbers are recommended part to stock for servicing.

SPECIAL HARDWARE

Order Code	Item	Date Begin	Date End	Part Number	Part Name	Qty. per Model/Kit
EEA	B10	89-04		304014	Housing	1
	B80	89-04		320002 (9005110-9200)	Plug assembly	1
	B80A	89-04		001172 (9004201-9000)	O-ring	1
	B81	89-04		511925	Adaptor assembly	1
	B81A	89-04		001172 (9004201-9000)	O-ring	1
	B83	89-04		140644	Plug assembly	1
	B83A	89-04		085043 (9004201-3700)	O-ring	1
	C05	89-04		519259	Cylinder block assembly w/speed ring (SB-2003-002)	1
	L34	89-04		510018	Seal assembly	1
	L40	89-04		9008000-0114	Lip seal	1
	L50	89-04		509353	O-ring	1
	L60	89-04		516769	Retainer plate	1
	L70	89-04		395723 (9007315-0805)	Screw	3
	S07	89-04		519277	Cylinder block kit w/speed ring	1

EEE	B10	89-04		304014	Housing	1
	B80	89-04		320002 (9005110-9200)	Plug assembly	1
	B80A	89-04		001172 (9004201-9000)	O-ring	1
	B81	89-04		511925	Adaptor assembly	1
	B81A	89-04		001172 (9004201-9000)	O-ring	1
	B83	89-04		140644	Plug assembly	1
	B83A	89-04		085043 (9004201-3700)	O-ring	1
	C05	89-04		519259	Cylinder block assembly w/speed ring (SB-2003-002)	1
	L34	89-04		510018	Seal assembly	1
	L40	89-04		9008000-0114	Lip seal	1
	L50	89-04		509353	O-ring	1
	L60	89-04		516769	Retainer plate	1
	L70	89-04		395723 (9007315-0805)	Screw	3
	S07	89-04		519277	Cylinder block kit w/speed ring	1

EEG	B10	89-04		304014	Housing	1
	B80	89-04		320002 (9005110-9200)	Plug assembly	1
	B80A	89-04		001172 (9004201-9000)	O-ring	1
	B81	89-04		511925	Adaptor assembly	1
	B81A	89-04		001172 (9004201-9000)	O-ring	1
	B83	89-04		140644	Plug assembly	1
	B83A	89-04		085043 (9004201-3700)	O-ring	1
	C05	89-04		519259	Cylinder block assembly w/speed ring (SB-2003-002)	1
	L34	89-04		515842	Seal assembly, double lip seal	1
	L40	89-04		9008000-0114	Lip seal	2
	L50	89-04		509353	O-ring	1
	L60	89-04		515343	Retainer plate	1
	L70	89-04		395723 (9007315-0805)	Screw	3
	S07	89-04		519277	Cylinder block kit w/speed ring	1

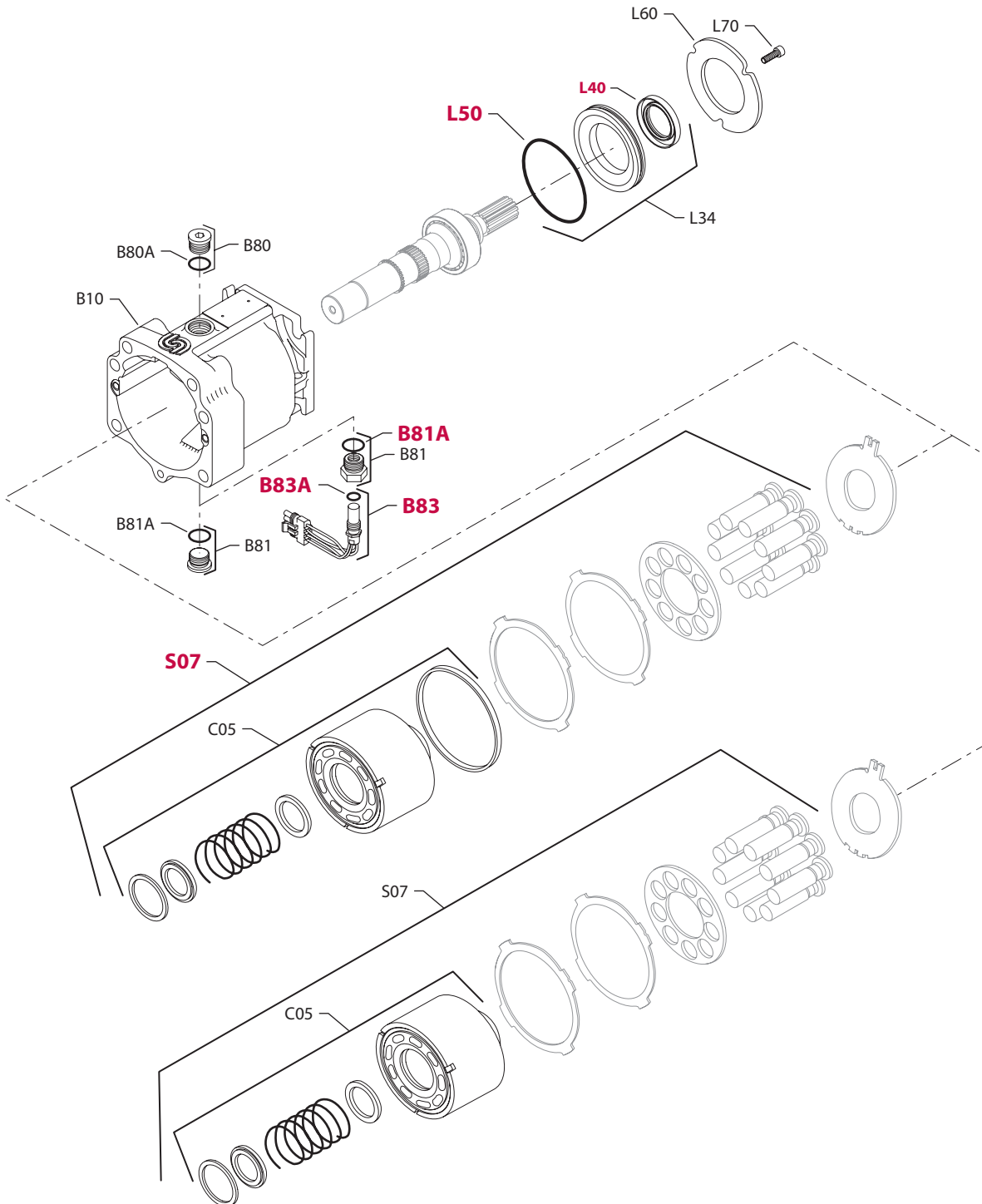


E100 873E

Enlarged **bold** type item numbers are recommended part to stock for servicing.

SPECIAL HARDWARE

Order Code	Item	Date Begin	Date End	Part Number	Part Name	Qty. per Model/Kit	
EGF	B10	89-04		304014	Housing	1	
	B80	89-04		320002 (9005110-9200)	Plug assembly	1	
	B80A	89-04		001172 (9004201-9000)	O-ring	1	
	B81	89-04		511925	Adaptor assembly	1	
	B81A	89-04		001172 (9004201-9000)	O-ring	1	
	B83	89-04		KPPG13703	Speed sensor assembly	1	
	B83A	89-04		085043 (9004201-3700)	O-ring	1	
	C05	89-04		519259	Cylinder block assembly w/speed ring (SB-2003-002)	1	
	L34	89-04		515842	Seal assembly, double lip seal	1	
	L40	89-04		9008000-0114	Lip seal	2	
	L50	89-04		509353	O-ring	1	
	L60	89-04		515343	Retainer plate	1	
	L70	89-04		395723 (9007315-0805)	Screw	3	
	S07	89-04		519277	Cylinder block kit w/speed ring	1	
	GBG	B10	89-04		304014	Housing	1
B80		89-04		320002 (9005110-9200)	Plug assembly	1	
B80A		89-04		001172 (9004201-9000)	O-ring	1	
B81		89-04		320002 (9005110-9200)	Plug assembly	1	
B81A		89-04		001156 (9004201-9000)	O-ring	1	
C05		89-04		519258	Cylinder block assembly w/o speed ring (SB-2003-002)	1	
L34		89-04		510018	Seal assembly	1	
L40		89-04		9008000-0114	Lip seal	1	
L50		89-04		509353	O-ring	1	
L60		89-04		516769	Retainer plate	1	
L70		89-04		395723 (9007315-0805)	Screw	3	
S07		89-04		519276	Cylinder block kit w/o speed ring	1	
HAA		B10	89-04		11014133	Housing	1
		B80	89-04		320002 (9005110-9200)	Plug assembly	1
		B80A	89-04		001172 (9004201-9000)	O-ring	1
	B81	89-04		320002 (9005110-9200)	Plug assembly	1	
	B81A	89-04		001156 (9004201-9000)	O-ring	1	
	C05	89-04		519258	Cylinder block assembly w/o speed ring (SB-2003-002)	1	
	L34	89-04		510018	Seal assembly	1	
	L40	89-04		9008000-0114	Lip seal	1	
	L50	89-04		509353	O-ring	1	
	L60	89-04		516769	Retainer plate	1	
	L70	89-04		395723 (9007315-0805)	Screw	3	
	S07	89-04		519276	Cylinder block kit w/o speed ring	1	

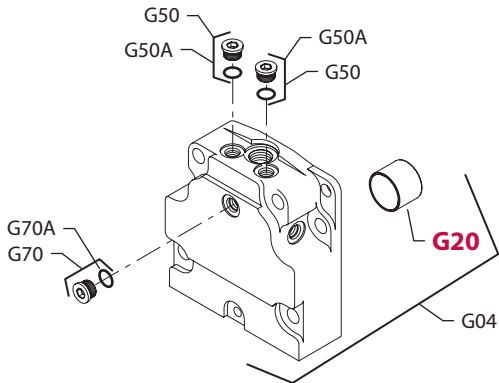


E100 874E

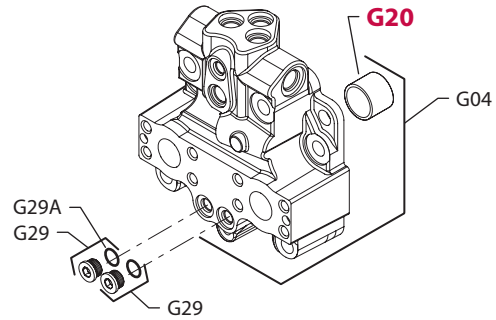
Enlarged **bold** type item numbers are recommended part to stock for servicing.

SPECIAL HARDWARE

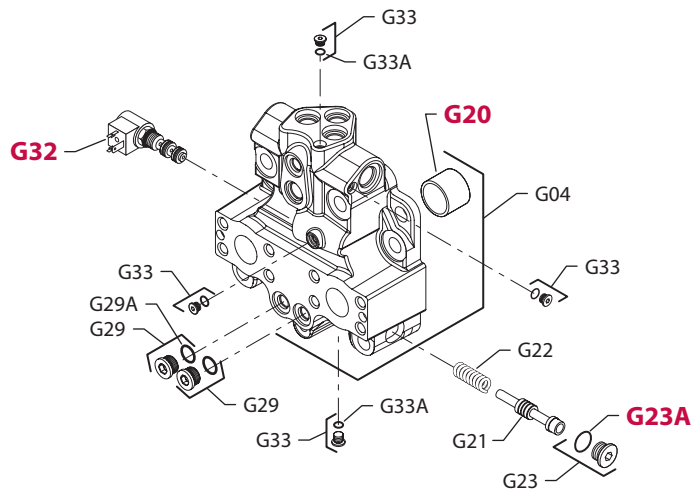
Order Code	Item	Date Begin	Date End	Part Number	Part Name	Qty. per Model/Kit
HAB	B10	89-04		11014133	Housing	1
	B80	89-04		320002 (9005110-9200)	Plug assembly	1
	B81	89-04		511925	Adaptor assembly	1
	B83	89-04		KPPG13703	Speed sensor assembly	1
	C05	89-04		519259	Cylinder block assembly w/speed ring (SB-2003-002)	1
	L34	89-04		510018	Seal assembly	1
	L40	89-04		9008000-0114	Lip seal	1
	L50	89-04		509353	O-ring	1
	L60	89-04		516769	Retainer plate	1
	L70	89-04		395723 (9007315-0805)	Screw	3
	S07	89-04		519277	Cylinder block kit w/speed ring	1
JAA & JAB	B10	89-04		304014	Housing	1
	B80	89-04		320002 (9005110-9200)	Plug assembly	1
	B81	89-04		320002 (9005110-9200)	Plug assembly	1
	C05	89-04		519258	Cylinder block assembly w/o speed ring (SB-2003-002)	1
	L34	89-04		510018	Seal assembly	1
	L40	89-04		9008000-0114	Lip seal	1
	L50	89-04		509353	O-ring	1
	L60	89-04		516769	Retainer plate	1
	L70	89-04		395723 (9007315-0805)	Screw	3
		S07	89-04		519276	Cylinder block kit w/o speed ring
LAA	B10	89-04		304014	Housing	1
	B80	89-04		320002 (9005110-9200)	Plug assembly	1
	B81	89-04		320002 (9005110-9200)	Plug assembly	1
	C05	89-04		519258	Cylinder block assembly w/o speed ring (SB-2003-002)	1
	L34	89-04		510018	Seal assembly	1
	L40	89-04		9008000-0114	Lip seal	1
	L50	89-04		509353	O-ring	1
	L60	89-04		516769	Retainer plate	1
	L70	89-04		395723 (9007315-0805)	Screw	3
		S07	89-04		519276	Cylinder block kit w/o speed ring
NNN	B10	89-04		304014	Housing	1
	B80	89-04		320002 (9005110-9200)	Plug assembly	1
	B81	89-04		320002 (9005110-9200)	Plug assembly	1
	C05	89-04		519258	Cylinder block assembly w/o speed ring (SB-2003-002)	1
	L34	89-04		510018	Seal assembly	1
	L40	89-04		9008000-0114	Lip seal	1
	L50	89-04		509353	O-ring	1
	L60	89-04		516769	Retainer plate	1
	L70	89-04		395723 (9007315-0805)	Screw	3
		S07	89-04		519276	Cylinder block kit w/o speed ring



Twin port end cap



Axial port end cap



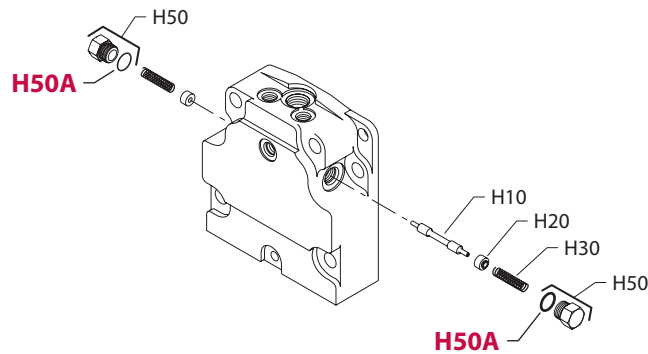
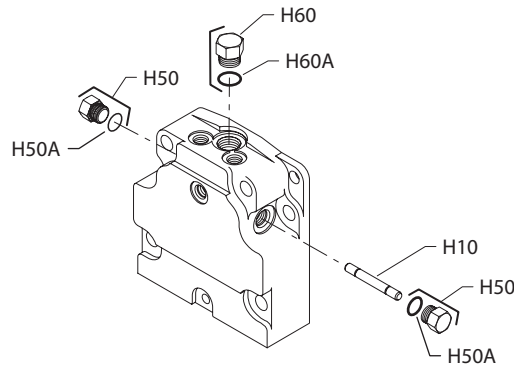
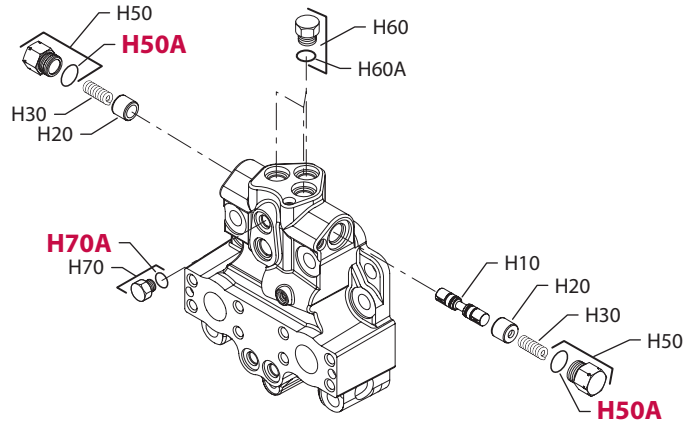
Axial port end cap with solenoid

E100 821E

Enlarged **bold** type item numbers are recommended part to stock for servicing.

END CAP

Order Code	Item	Date Begin	Date End	Part Number	Part Name	Qty. per Model/Kit	
8	G04	89-04		310706	End cap assembly., twin	1	
	G20	89-04		303693	Journal bearing	1	
	G50	89-04		140644	Plug assembly	2	
	G50A	89-04		085043 (9004201-3700)	O-ring	2	
	G70	89-04		140644	Plug assembly	2	
	G70A	89-04		085043 (9004201-3700)	O-ring	2	
	U	G04	89-04		515816	End cap assembly., axial	1
G20		89-04		303693	Journal bearing	1	
G21		89-04		515824	Piston	1	
G22		89-04		515826	Spring	1	
G23		89-04		9005110-7500	Plug assembly	1	
G23A		89-04		9004201-5000	O-ring	1	
G29		89-04		140644	Plug assembly	2	
G29A		89-04		9004201-3700	O-ring	2	
G32		89-04		517171	Solenoid valve, 12 volt	1	
G33		89-04		504519	Plug assembly	4	
G33A		89-04		9004201-1200	O-ring	4	
Z		G04	89-04		11006400	End cap assembly., axial	1
		G20	89-04		303693	Journal bearing	1
	G29	89-04		140644	Plug assembly	2	
	G29A	89-04		9004201-3700	O-ring	2	

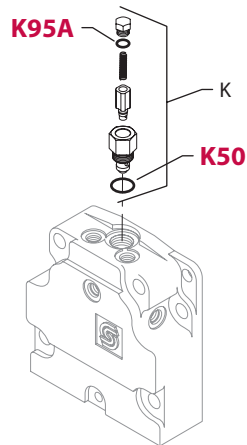


E100 876E

Enlarged **bold** type item numbers are recommended part to stock for servicing.

LOOP FLUSHING

Order Code	Item	Date Begin	Date End	Part Number	Part Name	Qty. per Model/Kit
D	H10	89-04		519246	Shuttle spool	1
	H20	89-04		515828	Spring guide	2
	H30	89-04		515829	Spring	2
	H50	89-04		516119	Plug assembly	2
	H50A	89-04		012559 (9004202-6200)	O-ring	2
	H60	89-04		001529 (9005100-7500)	Plug assembly	3
	H60A	89-04		001131 (9004201-5000)	O-ring	3
	H70	89-04		140644	Plug assembly	1
	H70A	89-04		085043 (9004201-3700)	O-ring	1
	H	H10	89-04		515827	Shuttle spool
H20		89-04		515828	Spring guide	2
H30		89-04		515829	Spring	2
H50		89-04		516119	Plug assembly	2
H50A		89-04		012559 (9004202-6200)	O-ring	2
H60		89-04		001529 (9005100-7500)	Plug assembly	3
H60A		89-04		001131 (9004201-5000)	O-ring	3
H70		89-04		140644	Plug assembly	1
H70A		89-04		085043 (9004201-3700)	O-ring	1
N		H10	89-04		334565	Loop flushing spool, defeated
	H50	89-04		001529 (9005100-7500)	Plug assembly	2
	H50A	89-04		001131 (9004201-5000)	O-ring	2
	H60	89-04		001537 (9005100-8700)	Plug assembly	1
	H60A	89-04		001149 (9006201-6200)	O-ring	1
W	H10	89-04		304287	Shuttle spool	1
	H20	89-04		338640	Spring guide	2
	H30	89-04		506829	Spring	2
	H50	89-38		508497	Plug assembly	2
	H50A	89-04		001131 (9004201-5000)	O-ring	2

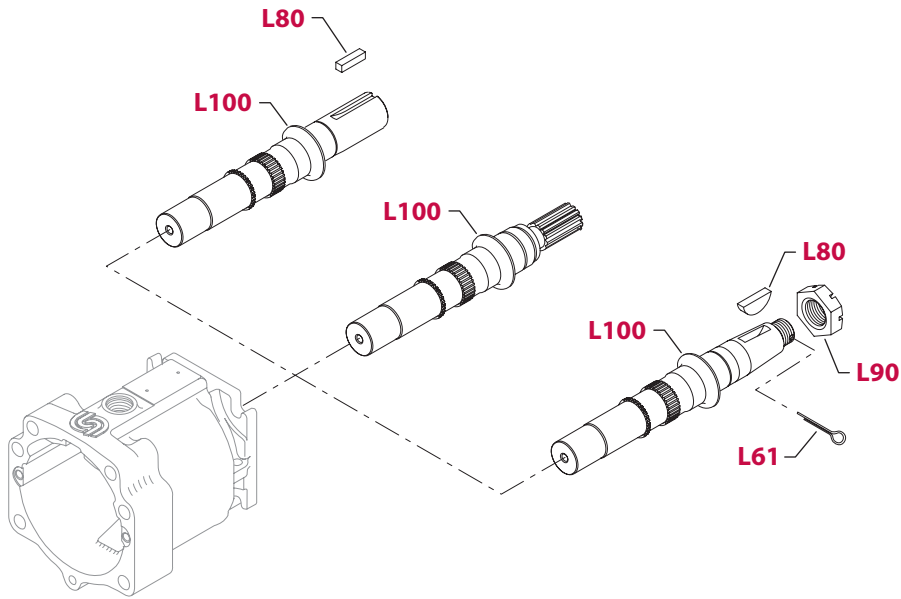


E100 878E

Enlarged **bold** type item numbers are recommended part to stock for servicing.

CHARGE PRESSURE SETTING

Order Code	Item	Date Begin	Date End	Part Number	Part Name	Qty. per Model/Kit
00				none		
A3	K	97-11		8510256	Cartridge CPRV kit, 13 bar, 16 L/min	1
	K50	97-11		001149 (9004201-6200)	O-ring	1
	K95A	97-11		085043 (9004201-3700)	O-ring	1
B0	K	97-11		11020552	Cartridge CPRV kit, 13 bar, 22 L/min	1
	K50	97-11		001149 (9004201-6200)	O-ring	1
	K95A	97-11		085043 (9004201-3700)	O-ring	1
B3	K	97-11		8510243	Cartridge CPRV kit, 13 bar, 27 L/min	1
	K50	97-11		001149 (9004201-6200)	O-ring	1
	K95A	97-11		085043 (9004201-3700)	O-ring	1
E4	K	97-11		8510261	Cartridge CPRV kit, 16 bar, 4 L/min	1
	K50	97-11		001149 (9004201-6200)	O-ring	1
	K95A	97-11		085043 (9004201-3700)	O-ring	1
E6	K	97-11		8510252	Cartridge CPRV kit, 16 bar, 7 L/min	1
	K50	97-11		001149 (9004201-6200)	O-ring	1
	K95A	97-11		085043 (9004201-3700)	O-ring	1
F0	K	97-11		8510259	Cartridge CPRV kit, 16 bar, 11 L/min	1
	K50	97-11		001149 (9004201-6200)	O-ring	1
	K95A	97-11		085043 (9004201-3700)	O-ring	1
F3	K	97-11		8510262	Cartridge CPRV kit, 16 bar, 16 L/min	1
	K50	97-11		001149 (9004201-6200)	O-ring	1
	K95A	97-11		085043 (9004201-3700)	O-ring	1
G0	K	97-11		8510260	Cartridge CPRV kit, 16 bar, 22 L/min	1
	K50	97-11		001149 (9004201-6200)	O-ring	1
	K95A	97-11		085043 (9004201-3700)	O-ring	1
G3	K	97-11		8510263	Cartridge CPRV kit, 16 bar, 27 L/min	1
	K50	97-11		001149 (9004201-6200)	O-ring	1
	K95A	97-11		085043 (9004201-3700)	O-ring	1
K0	K	97-11		8510349	CPRV kit, special, 40 L/min	1
	K95	97-11		001529 (9005100-7500)	Plug assembly	1
	K95A	97-11		001131 (9004201-5000)	O-ring	1
N4	K	97-11		8510255	Cartridge CPRV kit, 13 bar, 4 L/min	1
	K50	97-11		001149 (9004201-6200)	O-ring	1
	K95A	97-11		085043 (9004201-3700)	O-ring	1



E100 775E

Enlarged **bold** type item numbers are recommended part to stock for servicing.

SHAFT

Order Code	Item	Date Begin	Date End	Part Number	Part Name	Qty. per Model/Kit
C8	L100	89-04		304238	Shaft, 27 tooth spline, 16/32	1
F1	L100	89-04		310458	Shaft, 13 tooth spline, 8/16	1
F3	L100	89-04		515344	Shaft, 13 tooth spline, 8/16, special	1
L7	L100	89-04		515592	Shaft, 23 tooth spline, 16/32	1
S6	L100	89-04		310441	Shaft, 20 tooth spline, 12/24	1

OVERHAUL SEAL KIT

		89-04		81030530	Overhaul seal kit, 90M130	
	B80A	89-04		001172 (9004201-9000)	O-ring	1
	B81A	89-04		001156 (9004201-9000)	O-ring	1
	B83A	89-04		085043 (9004201-3700)	O-ring	1
	G30	89-04		304311	End cap gasket	1
	G50A	89-04		085043 (9004201-3700)	O-ring	2
	G70A	89-04		085043 (9004201-3700)	O-ring	2
	H50A	89-04		001131 (9004201-5000)	O-ring	2
	K50	97-11		001149 (9004201-6200)	O-ring	1
	K95A	97-11		085043 (9004201-3700)	O-ring	1
	L40	89-04		9008000-0114	Lip seal	1
	L50	89-04		509353	O-ring	1

PRODUCTS AFFECTED

Series 90 130cc fixed motors

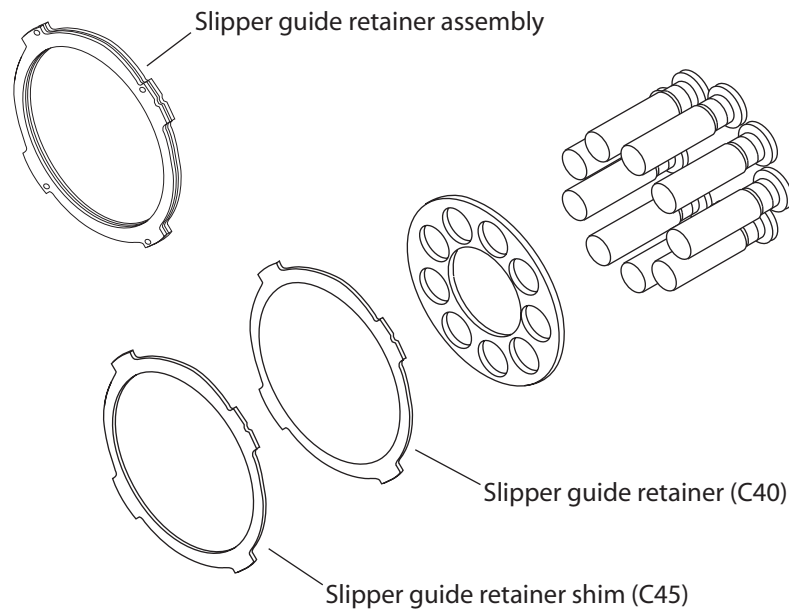
SUBJECT

Change in slipper guide retainer

DESCRIPTION

Sauer-Danfoss has changed the slipper guide retainer from a one piece retainer assembly to a two piece retainer on all 130cc fixed motors. This change creates a uniform product design platform for the 100cc, 75cc, 55cc, and 130cc motors.

The new slipper guide retainer can be used with any vintage motor. The old slipper guide retainer assembly will be obsoleted and no longer available as a service part.



MODELS AFFECTED

All 97-3000 and 973xxx fixed displacement motors

SERIAL NUMBERS

Units built with serial number N-95-26-xxxxx and after.

PART NUMBERS AFFECTED

Description	Old p/n	New p/n
Slipper guide retainer assembly	309443	-
Slipper guide retainer	-	500445
Slipper guide retainer shim	-	505369

PARTS DISPOSITION

■ Interchangeable

PRODUCTS AFFECTED

Series 90 130 thru 250cc pumps and motors

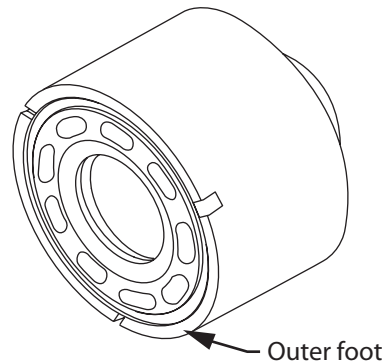
SUBJECT

Redesign of cylinder block running face

DESCRIPTION

As a product improvement, Sauer-Danfoss is changing the outer foot of the running face on cylinder blocks used in all Series 90 variable pumps, fixed motors, and variable motors. The outer foot is now lower by .0008 to .0039in. [.02 to .1mm] than the running surface around the kidneys. The increased clearance between the outer foot and the valve plate helps optimize the unit's performance. This change will improve the torque efficiency and volumetric efficiency of the product.

A part number change tracks this change. We will replace the part numbers on previous blocks and block kits with new part numbers. The old part numbers are obsolete. They are no longer available for service parts.



MODELS AFFECTED

Series 90 130 thru 250cc pumps and motors

SERIAL NUMBERS

Units built with serial number N-03-19-xxxxx for 130cc.
 Units built with serial number N-03-41-xxxxx for 180cc.
 Units built with serial number N-03-25-xxxxx for 250cc.

PART NUMBERS AFFECTED

130cc	
Old part number	New part number
510330	519258
518318	519275
518056	519274
518405	519277
518317	519276
519054	519259
515351	519259
8510087	519275
510307	519274
503753	519259
302851	519258

180cc	
Old part number	New part number
518355	519278
8510160	519278
518354	519261
510694	519261

250cc	
Old part number	New part number
518359	519279
8510148	519279
518356	519265
513474	519265

PARTS DISPOSITION

■ Interchangeable



Series 90 130 cc Axial Piston Motor
Parts Manual
Notes





Series 90 130 cc Axial Piston Motor
Parts Manual
Notes





OUR PRODUCTS

Hydrostatic transmissions
Hydraulic power steering
Electric power steering
Electrohydraulic power steering
Closed and open circuit axial piston pumps and motors
Gear pumps and motors
Bent axis motors
Orbital motors
Transit mixer drives
Planetary compact gears
Proportional valves
Directional spool valves
Cartridge valves
Hydraulic integrated circuits
Hydrostatic transaxles
Integrated systems
Fan drive systems
Electrohydraulics
Microcontrollers and software
Electric motors and inverters
Joysticks and control handles
Displays
Sensors

Sauer-Danfoss Mobile Power and Control Systems – Market Leaders Worldwide

Sauer-Danfoss is a comprehensive supplier providing complete systems to the global mobile market.

Sauer-Danfoss serves markets such as agriculture, construction, road building, material handling, municipal, forestry, turf care, and many others.

We offer our customers optimum solutions for their needs and develop new products and systems in close cooperation and partnership with them.

Sauer-Danfoss specializes in integrating a full range of system components to provide vehicle designers with the most advanced total system design.

Sauer-Danfoss provides comprehensive worldwide service for its products through an extensive network of Global Service Partners strategically located in all parts of the world.

Local address:

Sauer-Danfoss (US) Company
2800 East 13th Street
Ames, IA 50010, USA
Phone: +1 515 239-6000
Fax: +1 515 239 6618

Sauer-Danfoss GmbH & Co. OHG
Postfach 2460, D-24531 Neumünster
Krokamp 35, D-24539 Neumünster, Germany
Phone: +49 4321 871-0
Fax: +49 4321 871 122

Sauer-Danfoss ApS
DK-6430 Nordborg, Denmark
Phone: +45 7488 4444
Fax: +45 7488 4400

Sauer-Danfoss-Daikin LTD
Sannomiya Grand Bldg. 8F
2-2-21 Isogami-dori, Chuo-ku
Kobe, Hyogo 651-0086, Japan
Phone: +81 78 231 5001
Fax: +81 78 231 5004