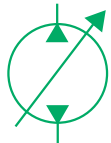
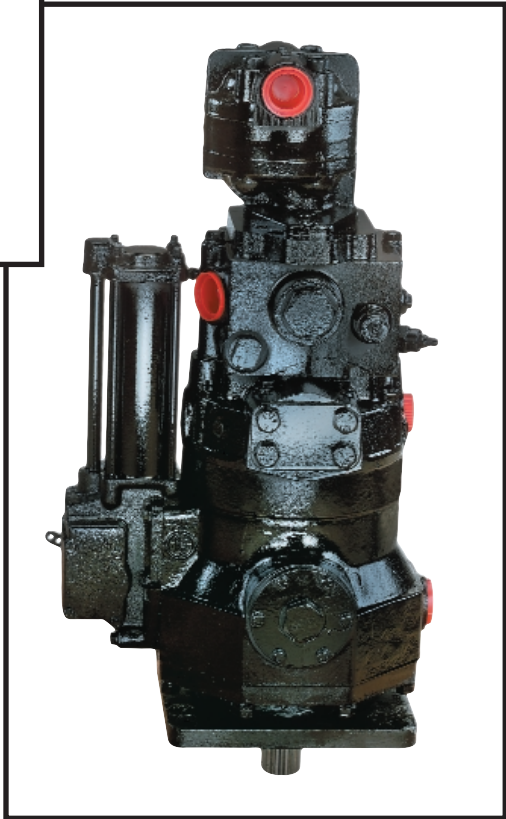
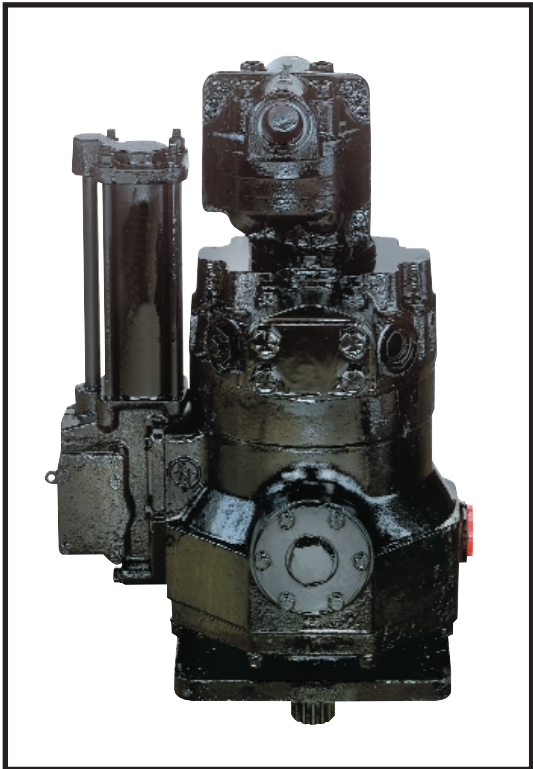


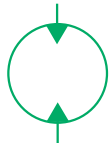
# DynaPower Generation II

[Return to  
DYNAPOWER index](#)

[Return to  
MAIN index](#)

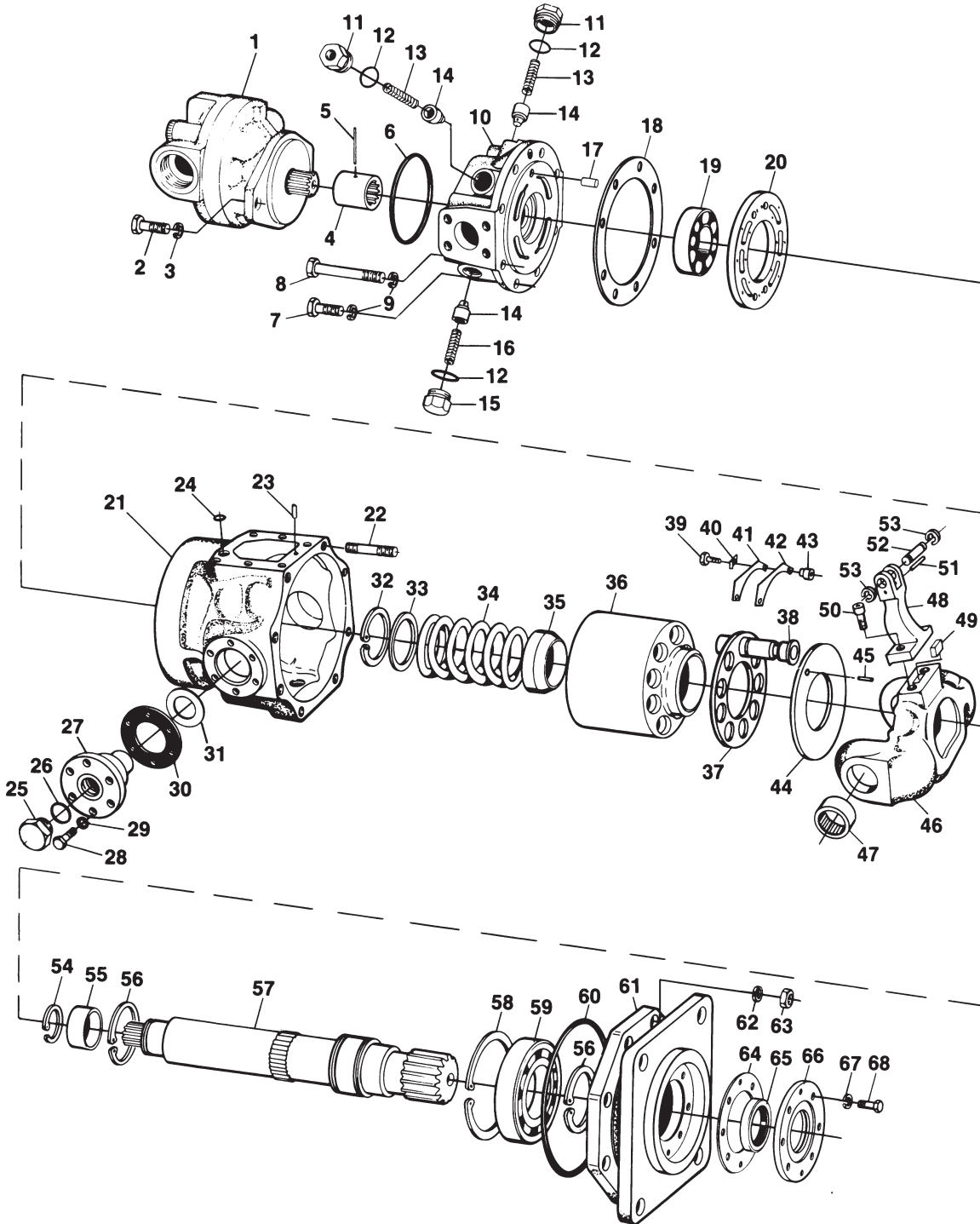


**DYNAPOWER**





**DYNAPOWER MODEL 12.0 VARIABLE PUMP  
SAE "E" FLANGE & SHAFT  
PARTS DRAWING**

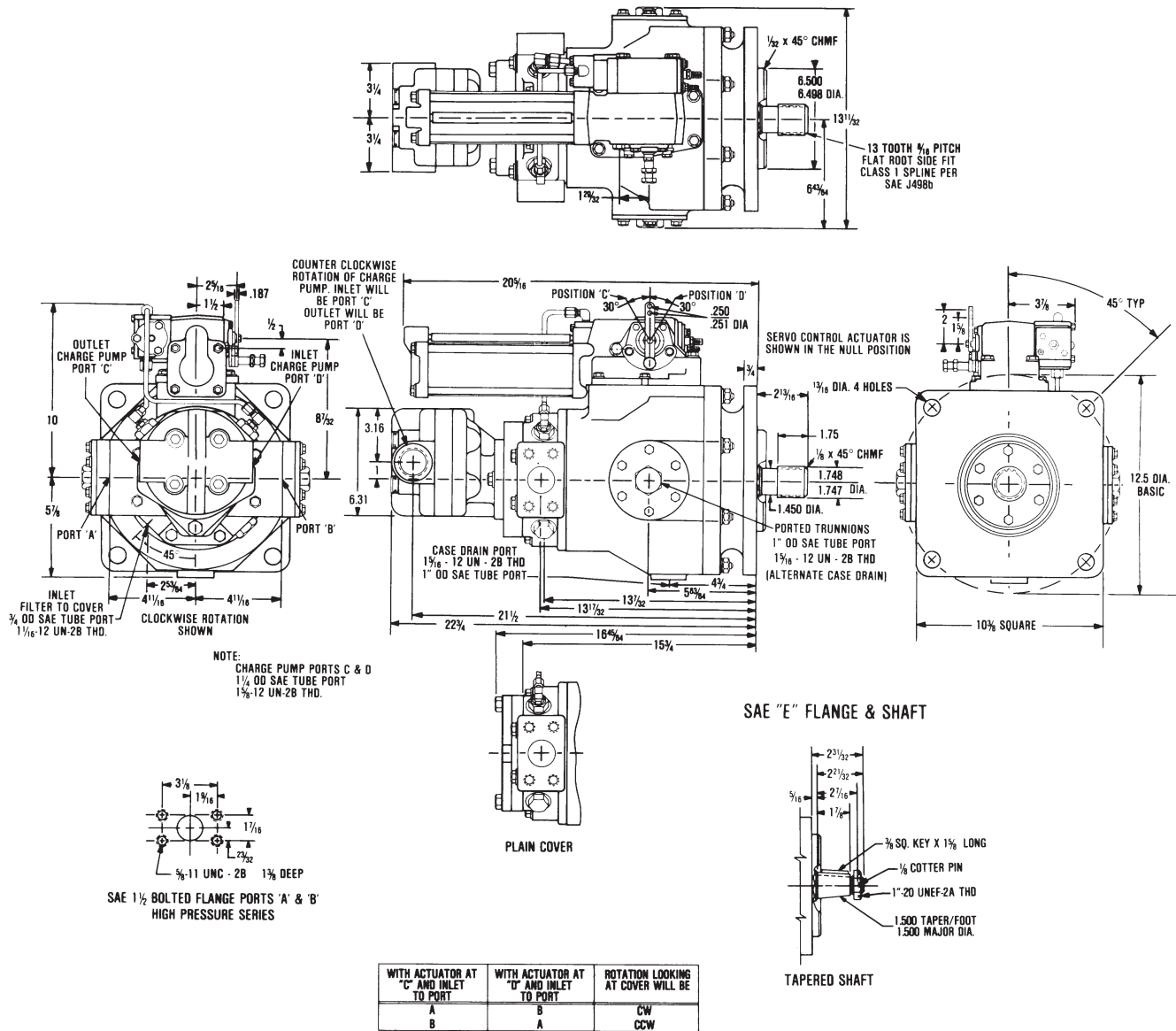




# DYNAPOWER



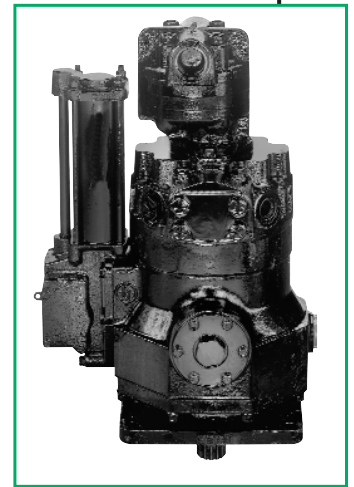
## DYNAPOWER MODEL 12.0 VARIABLE PUMP SAE "E" FLANGE & SHAFT PARTS DRAWING





**DYNAPOWER MODEL 12.0 VARIABLE PUMP  
SAE "E" FLANGE & SHAFT**

REF. NO.	PART NO.	NO. REQ.	DESCRIPTION
1	870895	1	Charge Pump
2	870218	2	Hex Bolt
3	870494	2	Lock Washer
4	842192	1	Coupling (Includes Item 5)
5	870080	1	Pin
6	871155	1	O'ring
7	870228	4	Hex Bolt
8	870292	4	Hex Bolt
9	870494	8	Lock Washer
10	842544	1	Cover (Code 62)
11	842047	2	Plug
12	871912	3	O'ring
13	840999	1	Spring
14	840925	3	Plunger
15	842395	1	Plug
16	872920	1	Spring
17	870095	1	Roll Pin
18	842196	1	Gasket
19	871187	1	Bearing (Includes Item 55)
20	841948	1	Valve Plate
21	842482	1	Housing (Includes Item 22)
22	840946	8	Stud
23	870095	1	Roll Pin
24	871013	1	O'ring
25	872868	2	Plug
26	871916	2	O'ring
27	841061	2	Trunnion
28	870172	12	Hex Bolt
29	870491	12	Lock Washer
30	840948	2	Gasket
31	840947	2	Thrust Washer
32	872854	1	Retaining Ring
33	842076	1	Upper Spring Seat
34	840997	1	Spring
35	840973	1	Lower Spring Seat
36	841950	1	Cylinder Block
37	840964	1	Return Plate
38	830700	9	Piston Assy.
39	870213	4	Hex Bolt



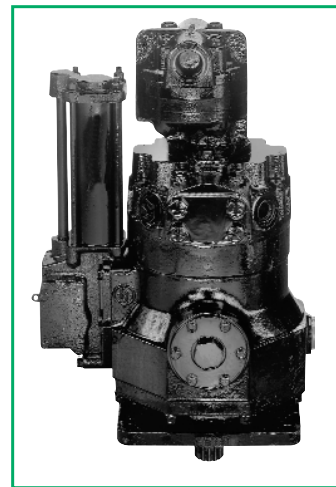


# DYNAPOWER



## DYNAPOWER MODEL 12.0 VARIABLE PUMP SAE "E" FLANGE & SHAFT

REF. NO.	PART NO.	NO. REQ.	DESCRIPTION
40	840981	4	Tab Lock Washer
41	842493	2	Crescent Clip
42	842494	2	Crescent Bearing
43	840982	4	Spacer
44	840902	1	Wear Plate
45	870071	1	Roll Pin
46	840919	1	Cam
47	871186	2	Trunnion Bearings
48	842359	1	Lever Assy. (Includes Item 51)
49	840909	1	Key
50	870889	2	Cap Screw
51	871058	1	Pin
52	841033	1	Clevis Pin
53	871953	2	Retaining Ring
54	871947	1	Retaining Ring
55		1	See Item 19
56	871952	2	Retaining Ring
57	842193	1	Shaft SAE "E"
58	871950	1	Retaining Ring
59	871184	1	Bearing
60	875271	1	Square Ring
61	841105	1	Flange SAE "E"
62	870494	8	Lock Washer
63	870568	8	Hex Nut
64	840008	1	Gasket
65	870107	1	Shaft Seal
66	840126	1	Seal Retainer
67	870480	6	Lock Washer
68	870150	6	Hex Bolt



### SERVICE KITS

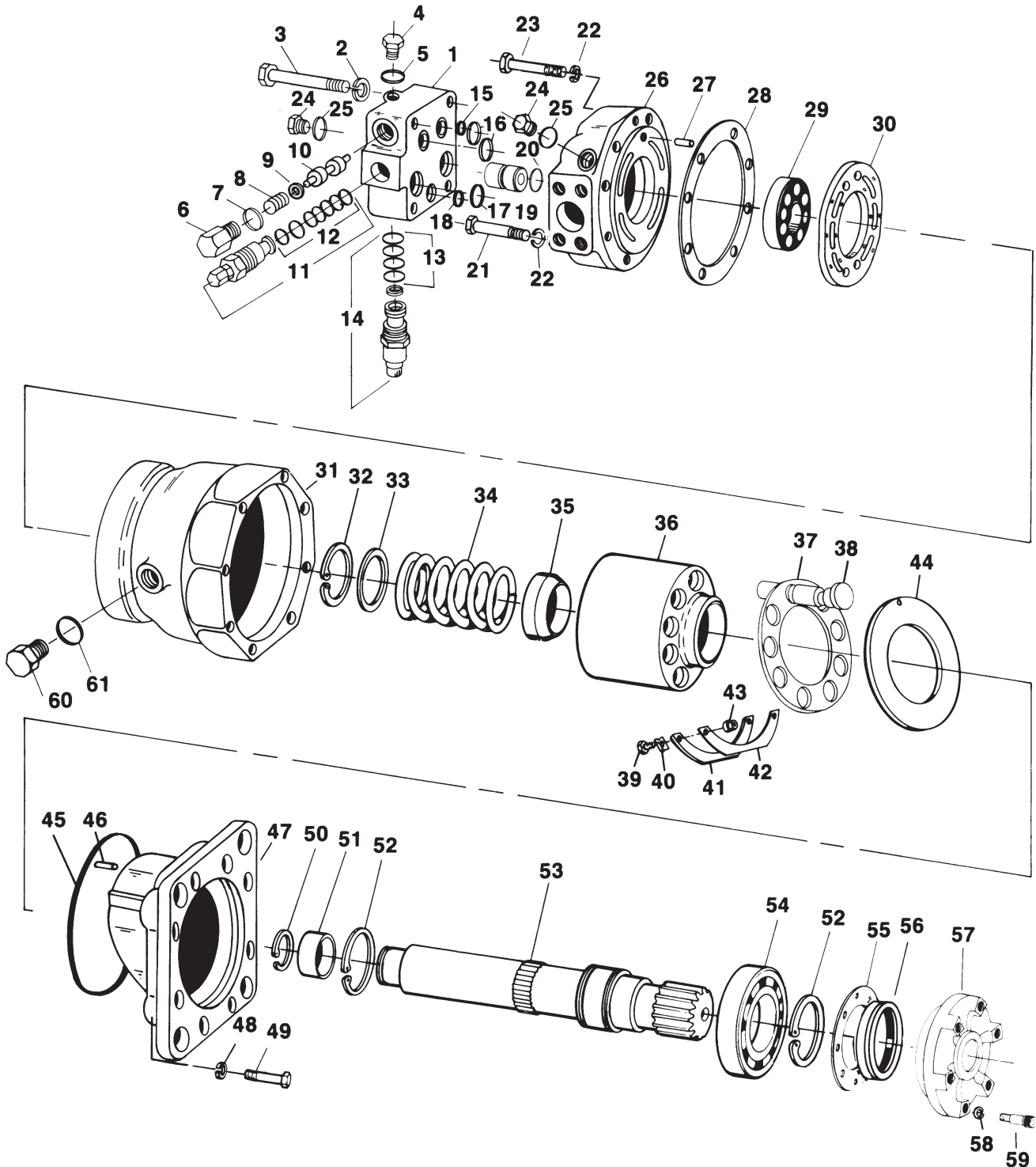
Part No.	Flange Type	Description
894404	SAE "E"	O'ring & Gasket Kit 6, 12, 18, 26, 30, 60, 64 & 65
894098	SAE "E"	Shaft Seal Kit 64, 65 & 66
894357	SAE "E"	Rotating Group Kit 20, 32, 33, 34, 35, 36, 37, 38, 39, 40, 41, 42, 43 & 44



# DYNAPOWER

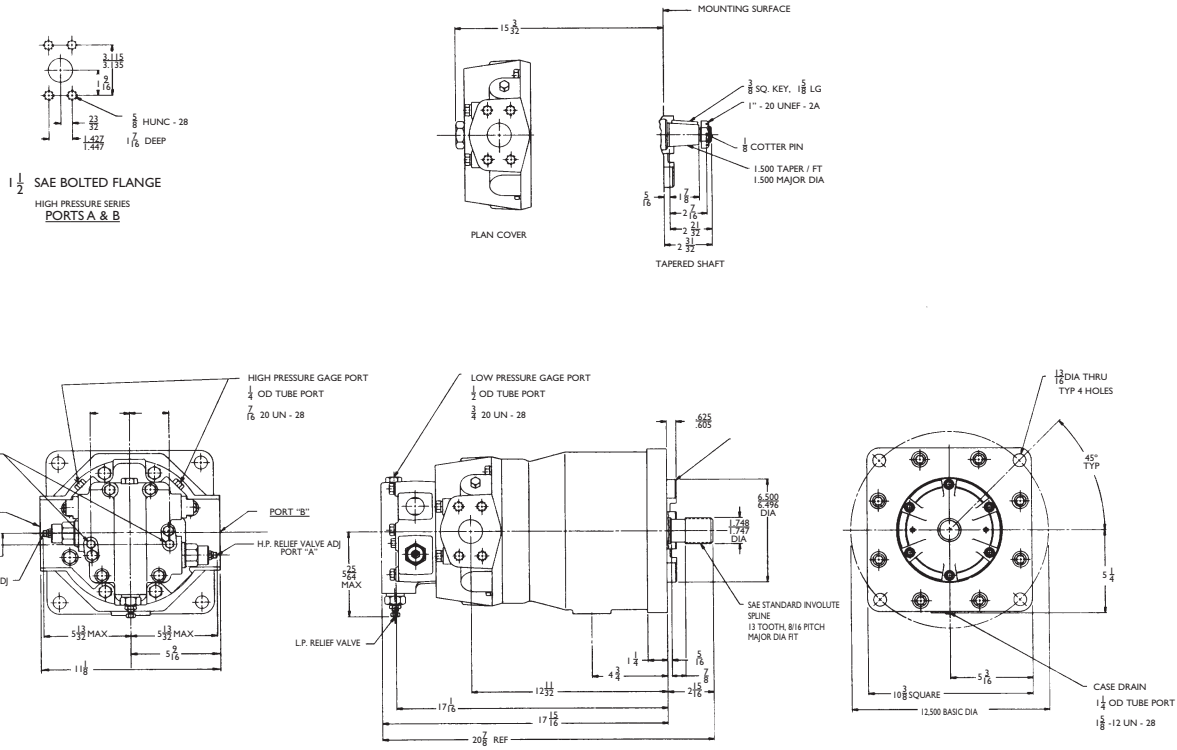


## DYNAPOWER MODEL 12.0 FIXED MOTOR SAE "E" FLANGE & SHAFT PARTS DRAWING





## DYNAPOWER MODEL 12.0 FIXED MOTOR SAE "E" FLANGE & SHAFT PARTS DRAWING



### DYNAPOWER MODEL 12.0 FIXED MOTOR SAE "E" FLANGE & SHAFT

REF. NO.	REQ. NO	NO. REQ.	DESCRIPTION
1	842531	1	Valve Housing
2	870493	6	Lock Washer
3	870734	6	Hex Bolt
4	872869	1	Plug
5	871908	1	O'ring
6	842533	2	Plug
7	871914	2	O'ring
8	841533	2	Spring
9	842534	2	Spring Retainer
10	842532	1	Shuttle Valve
11	872954	2	H/P Relief Valve Cartridge
12	872966	2	O'ring/Back-up Ring Kit



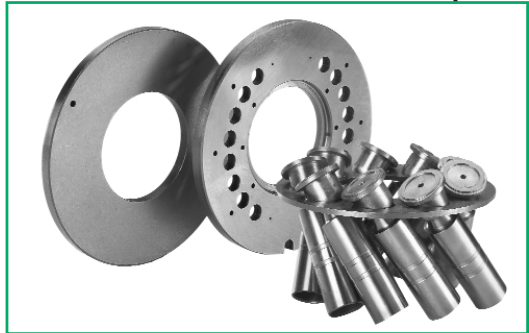


# DYNAPOWER



## DYNAPOWER MODEL 12.0 FIXED MOTOR SAE "E" FLANGE & SHAFT

REF. NO.	REQ. NO	NO. REQ.	DESCRIPTION
13	872955	1	LP Relief Valve Cartridge
14	872967	1	O'ring/Back-up Ring Kit
15	871113	1	O'ring
16	876119	2	O'ring
17	876122	2	O'ring
18	871115	1	O'ring
19	842530	1	Plug
20	871121	1	O'ring
21	870292	4	Hex Bolts
22	870494	8	Lock Washers
23	870728	4	Hex Bolts
24	840146	4	Plug
25	871904	4	O'ring
26	842543	1	Cover
27	870095	1	Dowel Pin
28	842196	1	Gasket
29	871187	1	Bearing (Includes Item 51)
30	841948	1	Valve Plate
31	842542	1	Housing
32	872854	1	Retaining Ring
33	842076	1	Upper Spring Seat
34	840997	1	Spring
35	840973	1	Lower Spring Seat
36	841950	1	Block
37	840964	1	Return Plate
38	830700	9	Pistons
39	870213	4	Hex Bolt
40	840981	4	Tab Lock
41	842493	2	Crescent Clip
42	842494	2	Crescent Bearing
43	840982	4	Spacer
44	840902	1	Wear Plate
45	875268	1	Square Ring
46	870071	1	Dowel Pin
47	841035	1	Flange
48	870494	8	Lock Washer
49	872683	8	Socket Head Cap Screws
50	871947	1	Retaining Ring
51			See Item 29

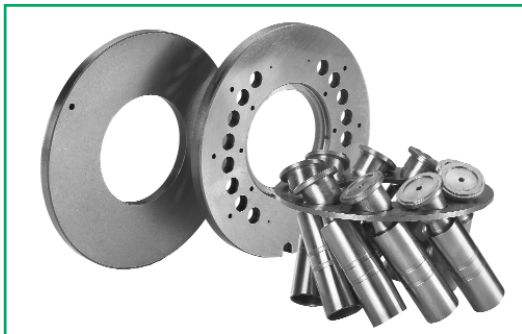






**DYNAPOWER MODEL 12.0 FIXED MOTOR  
SAE "E" FLANGE & SHAFT**

REF. NO.	REQ. NO	NO. REQ.	DESCRIPTION
52	871952	2	Retaining Ring
53	840978	1	Shaft "SAE E"
54	871184	1	Bearing
55	840971	1	Gasket
56	870107	1	Shaft Seal
57	840952	1	Seal/Bearing Retainer
58	870491	6	Lock Washer
59	872723	6	Socket Head Cap Screws
60	841472	1	Plug
61	871920	1	O'ring

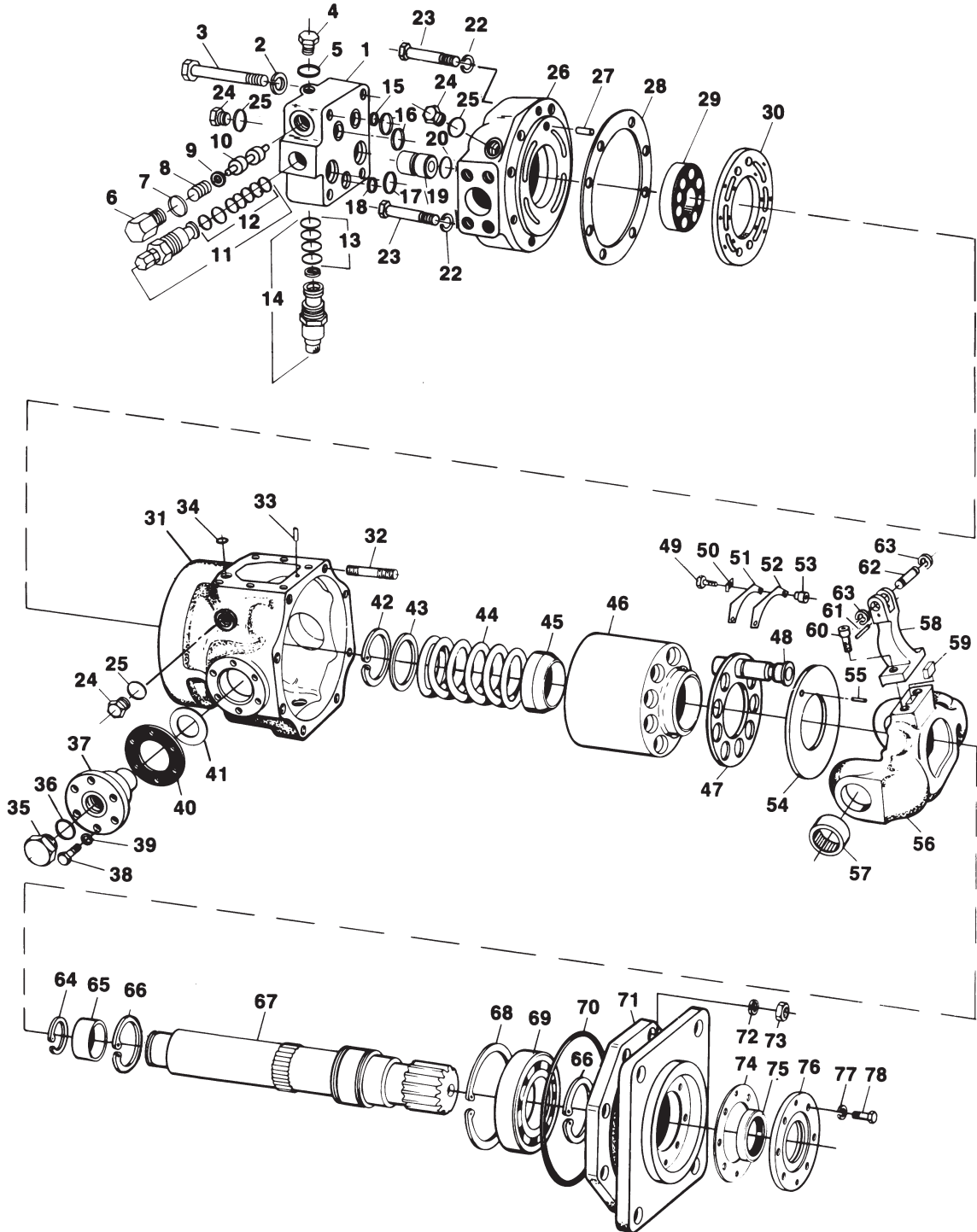


**SERVICE KITS**

PART NO.	FLANGE TYPE	DESCRIPTION
894475	SAE "E"	O'ring & Gasket Kits 5, 7, 12, 14, 15, 16, 17, 18, 20, 28, 45, 55, 56
894161	SAE "E"	Shaft Seal Kit 55, 56 & 57
894357	SAE "E"	Rotating Group Kit 30, 32, 33, 34, 35, 36, 37, 38, 39, 40, 41, 42, 43, 44

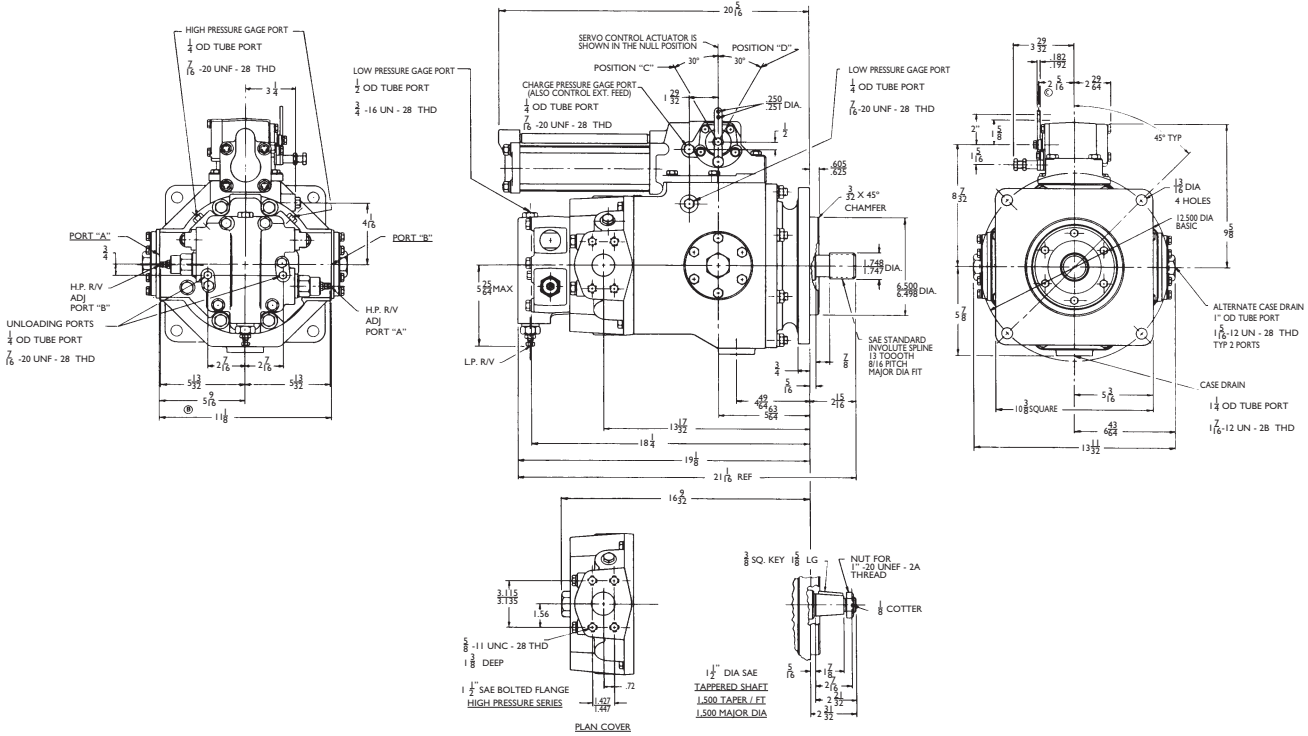


**DYNAPOWER MODEL I2.0 VARIABLE MOTOR  
SAE "E" FLANGE & SHAFT  
PARTS DRAWING**





**DYNAPOWER MODEL 12.0 VARIABLE MOTOR  
SAE "E" FLANGE & SHAFT  
PARTS DRAWING**



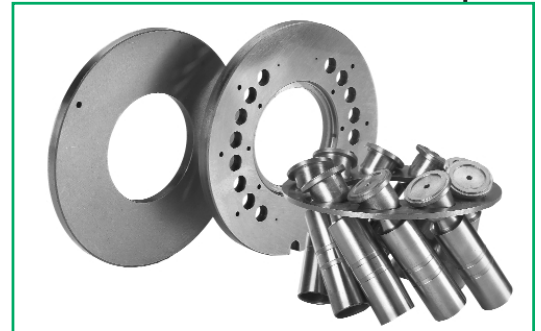
**DYNAPOWER MODEL 12.0 VARIABLE MOTOR  
SAE "E" FLANGE & SHAFT**

REF. NO.	PART NO.	NO. REQ.	DESCRIPTION
1	842531	1	Valve Housing
2	870493	6	Lock Washer
3	870734	6	Hex Bolt
4	872869	1	Plug
5	871908	1	O'ring
6	842533	2	Plug
7	871914	2	O'ring
8	841533	2	Spring
9	842534	2	Spring Retainer
10	842532	1	Shuttle Valve
11	872954	2	H/P Relief Valve Cartridge
12	872966	2	O'ring/Back-up Ring Kit
13	872955	1	LP Relief Valve Cartridge
14	872967	1	O'ring/Back-up Ring Kit



**DYNAPOWER MODEL 12.0 VARIABLE MOTOR  
SAE "E" FLANGE & SHAFT**

REF. NO.	PART NO.	NO. REQ.	DESCRIPTION
15	871113	1	O'ring
16	876119	2	O'ring
17	876122	2	O'ring
18	871115	1	O'ring
19	842530	1	Plug
20	871121	1	O'ring
21	870292	4	Hex Bolts
22	870494	8	Lock Washers
23	870728	4	Hex Bolts
24	840146	5	Plug
25	871904	5	O'ring
26	842543	1	Cover (Code 62)
27	870095	1	Dowel Pin
28	842196	1	Gasket
29	871187	1	Bearing (Includes Item 65)
30	841948	1	Valve Plate
31	842482	1	Housing (Includes Items 32 & 33)
32	840946	8	Stud
33	870095	1	Roll Pin
34	871013	1	O'ring
35	872868	2	Plug
36	871916	2	O'ring
37	841061	2	Trunnion
38	870172	12	Hex Bolt
39	870491	12	Lock Washer
40	840948	2	Gasket
41	840947	2	Thrust Washer
42	872854	1	Retaining Ring
43	842076	1	Upper Spring Seat
44	840997	1	Spring
45	840973	1	Lower Spring Seat
46	841950	1	Cylinder Block
47	840964	1	Return Plate
48	830700	9	Piston Assy.
49	870213	4	Hex Bolt
50	840981	4	Tab Lock Washer
51	842493	2	Crescent Clip
52	842494	2	Crescent Bearing
53	840982	4	Spacer
54	840902	1	Wear Plate
55	870071	1	Roll Pin
56	840919	1	Cam
57	871186	2	Trunnion Bearing



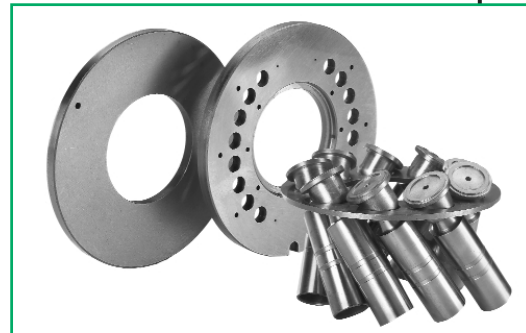


# DYNAPOWER



## DYNAPOWER MODEL 12.0 VARIABLE MOTOR SAE "E" FLANGE & SHAFT

REF. NO.	PART NO.	NO. REQ.	DESCRIPTION
58	842359	1	Lever Assy. (Includes Item 51)
59	840909	1	Key
60	870889	2	Cap Screw
61	871058	1	Pin
62	841033	1	Clevis Pin
63	871953	2	Retaining Ring
64	871947	1	Retaining Ring
65		1	See Item 29
66	871952	2	Retaining Ring
67	841863	1	Shaft SAE "E"
68	871950	1	Retaining Ring
69	871184	1	Bearing
70	875271	1	Square Ring
71	841105	1	Flange SAE "E"
72	870494	8	Lock Washer
73	870568	8	Hex Nut
74	840008	1	Gasket
75	870107	1	Shaft Seal
76	840126	1	Seal Retainer
77	870480	6	Lock Washer
78	870150	6	Hex Bolt
79	840147	2	Hex Bolt
80	841067	1	Cam Stop 0 Degrees
	841068	1	Cam Stop 5 Degrees
	841069	1	Cam Stop 7 Degrees
	841070	1	Cam Stop 10 Degrees

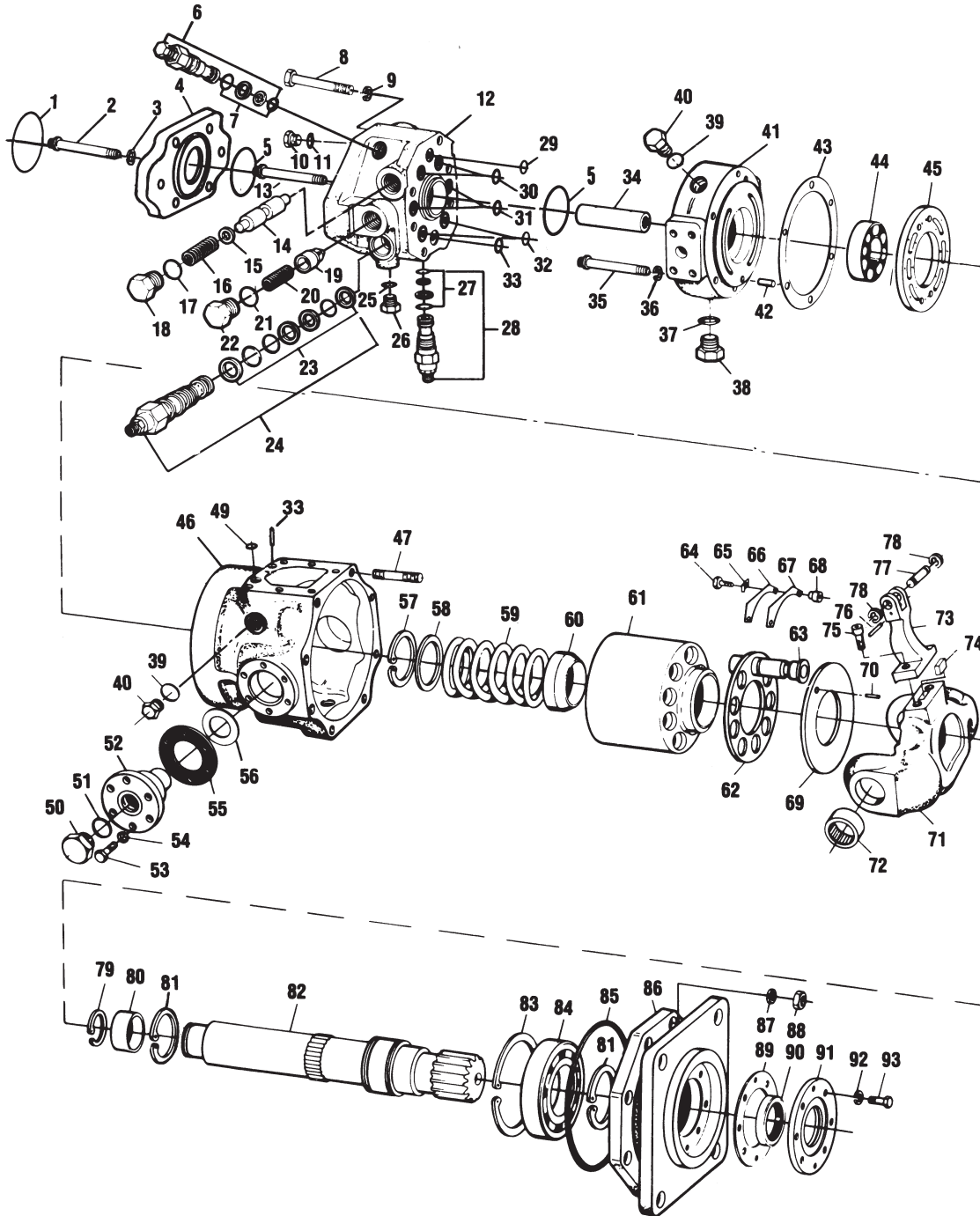


### SERVICE KITS

Part No.	Flange Type	Description
894474	SAE "E"	O'ring & Gasket Kit 5, 7, 12, 14, 15, 16, 17, 18, 20, 25, 28, 34, 36, 40, 70, 74 & 75
894098	SAE "E"	Shaft Seal Kit 74, 75 & 76
894357	SAE "E"	Rotating Group Kit 30, 42, 43, 44, 45, 46, 47, 48, 49, 50, 51, 52, 53 & 54



**DYNAPOWER MODEL 12.0 PUMPVAL  
SAE "E" FLANGE & SHAFT  
PARTS DRAWING**

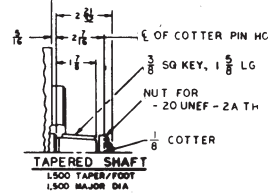
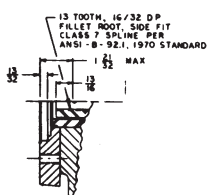
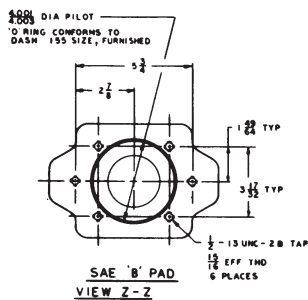
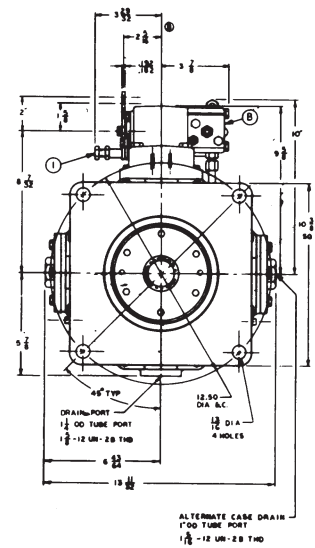
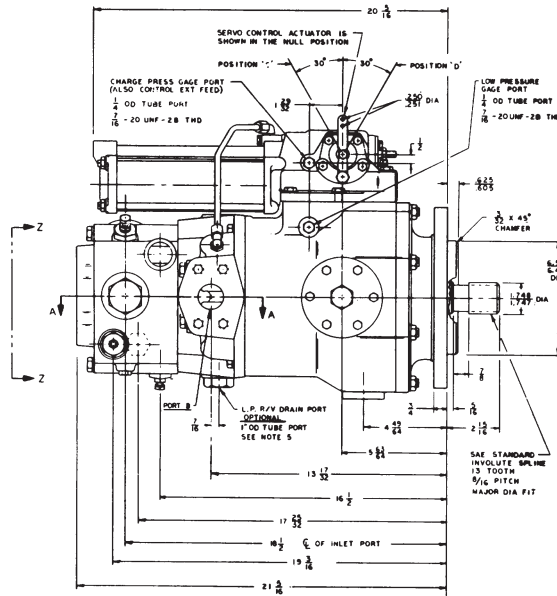
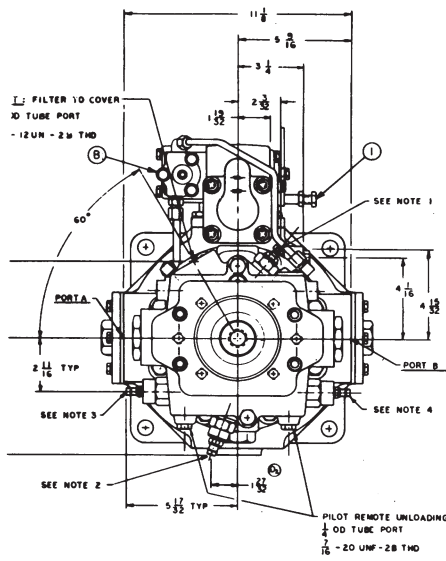
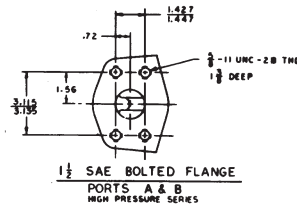




# DYNAPOWER



## DYNAPOWER MODEL 12.0 PUMPVAL SAE "E" FLANGE & SHAFT PARTS DRAWING

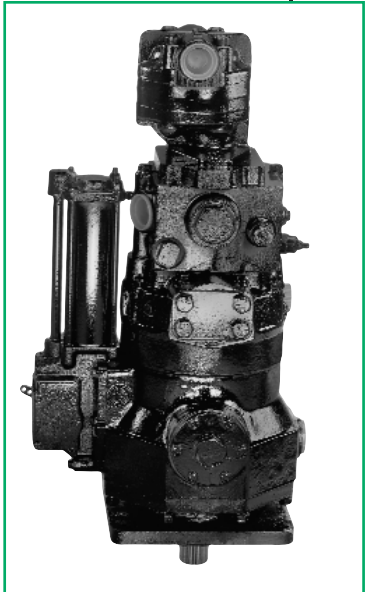






**DYNAPOWER MODEL 12.0 PUMPVAL  
SAE "E" FLANGE & SHAFT**

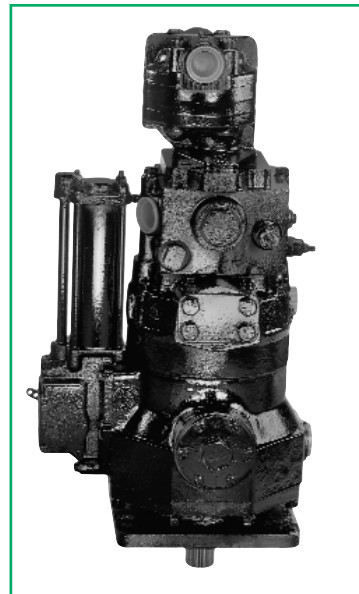
REF. NO.	PART NO.	REQ. NO.	DESCRIPTION
1	871155	1	O'ring
2	872960	4	Socket Head Bolt
3	870492	4	Lock Washer
4	842552	1	Adapter Ring
5	871143	2	O'ring
6	872965	1	C/P Relief Valve Cartridge
7	872967	1	O'ring/Back-up Ring Kit
8	870735	2	Hex Head Bolt
9	870494	2	Lock Washer
10	840132	1	Allen Plug
11	871908	1	O'ring
12	842547	1	R/V Body
13	872961	4	Socket Head Bolt
13A	871204	4	Lock Washer
14	842532	1	Shuttle
15	842534	2	Spring Retainer
16	841533	2	Spring
17	871914	2	O'ring
18	842533	2	Hex Plug
19	841458	2	Check Valve
20	841471	2	Check Spring
21	871920	2	O'ring
22	841472	2	Hex Plug
23	872966	2	O'ring/Back-up Ring Kit
24	872954	2	H/P Relief Valve Cartridge
25	871904	2	O'ring
26	840146	2	Hex Plug
27	872967	1	O'ring/Back-up Ring Kit
28	872955	1	L/P Relief Valve Cartridge
29	871112	1	O'ring
30	871119	2	O'ring
31	876120	2	O'ring
32	876121	2	O'ring
33	871117	1	O'ring
34	842553	1	Torque Tube
35	870728	4	Socket Head Bolt
36	870464	4	Lock Washer
37	871916	1	O'ring
38	872868	1	Hex Plug
39	871904	3	O'ring
40	840146	3	Hex Plug





**DYNAPOWER MODEL 12.0 PUMPVAL  
SAE "E" FLANGE & SHAFT**

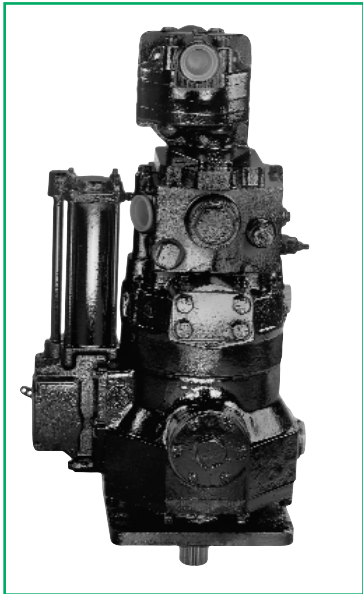
REF. NO.	PART NO.	REQ. NO.	DESCRIPTION
41	842551	1	Cover
42	870095	1	Pin
43	842196	1	Gasket
44	871187	1	(Bearing Includes Item 80)
45	841948	1	Valve Plate
46	842482	1	Housing (Includes Items 47 & 48)
47	840946	8	Stud
48	870095	1	Roll Pin
49	871013	1	O'ring
50	872868	2	Plug
51	871916	2	O'ring
52	841061	2	Trunnion
53	870172	12	Hex Bolt
54	870491	12	Lock Washer
55	840948	2	Gasket
56	840947	2	Thrust Washer
57	872854	1	Retaining Ring
58	842076	1	Upper Spring Seat
59	840997	1	Spring
60	840973	1	Lower Spring Seat
61	841950	1	Cylinder Block
62	840964	1	Return Plate
63	830700	9	Piston Assy.
64	870213	4	Hex Bolt
65	840981	4	Tab Lock Washer
66	842943	2	Crescent Clip
67	842494	2	Crescent Bearing
68	840982	4	Spacer
69	840902	1	Wear Plate
70	870071	1	Roll Pin
71	840919	1	Cam
72	871186	2	Trunnion Bearing
73	842359	1	Lever Assy. (Includes Item 76)
74	840909	1	Key
75	870889	2	Cap Screw
76	871058	1	Pin
77	841033	1	Clevis Pin
78	871953	2	Retaining Ring
79	871947	1	Retaining Ring
80		1	See Item 44
81	871952	2	Retaining Ring





**DYNAPOWER MODEL 12.0 PUMPVAL  
SAE "E" FLANGE & SHAFT**

REF. NO.	PART NO.	REQ. NO.	DESCRIPTION
82	842193	1	Shaft SAE "E"
83	871950	1	Retaining Ring
84	871184	1	Bearing
85	875271	1	Square Ring
86	841105	1	Flange SAE "E"
87	870494	8	Lock Washer
88	870568	8	Hex Nut
89	840008	1	Gasket
90	870107	1	Shaft Seal
91	840126	1	Seal Retainer
92	870480	6	Lock Washer
93	870150	6	Hex Bolt



**SERVICE KITS**

PART NO.	FLANGE TYPE	DESCRIPTION
894502	SAE "E"	O'ring & gasket kit 1, 7, 11, 17, 21, 23, 25, 27, 29, 30, 31, 32, 33, 37, 39, 43, 49, 51, 55, 56, 85, 89 & 90
894098	SAE "E"	Shaft Seal Kit 89, 90 & 91
894357	SAE "E"	Rotating group 45, 57, 58, 59, 60, 61, 62, 63, 64, 65, 66, 67, 68 & 69